

BEFORE YOU BEGIN



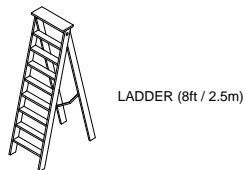
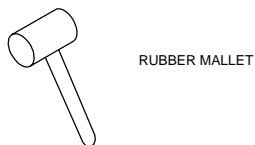
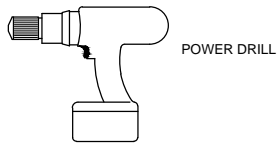
THESE INSTRUCTIONS MUST BE FOLLOWED STEP BY STEP. DEVIATION FROM THE INSTRUCTIONS MAY VOID THE PRODUCT'S WARRANTY. SEE WARRANTY SHEET FOR FURTHER DETAILS.

READ ALL INSTRUCTIONS THOROUGHLY BEFORE STARTING ASSEMBLY.

USE THE PARTS LIST AS A CHECKLIST FOR COMPONENTS.

UNWRAP PARTS ONLY AS NEEDED TO KEEP COMPONENT DEALER CODE LABEL INTACT FOR REFERENCE.

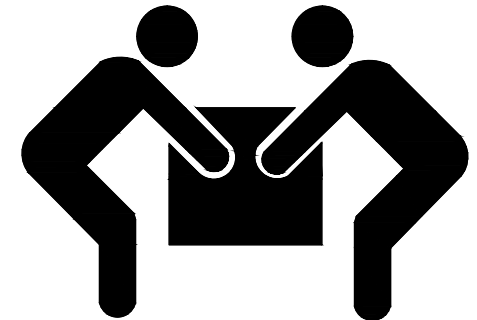
TOOLS NEEDED



TWO PERSON PROJECT

PRODUCT CAN BE HEAVY

USE CARE WHEN LIFTING



SITE PREPARATION

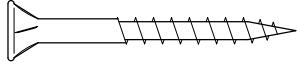
ASSEMBLE THE STRUCTURE ON A FIRM, LEVEL SURFACE.
PROTECT THE PRODUCT FROM DAMAGE AS SOME PIECES MAY BE FRAGILE.

ESTIMATED ASSEMBLY TIME: 2 HOURS

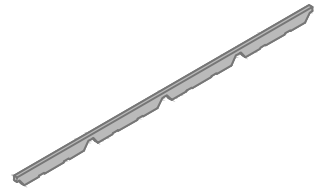
IF YOU REQUIRE ASSISTANCE, OR NEED TO ORDER REPLACEMENT PARTS,
CONTACT YOUR VISSCHER DEALER.

FOR ADDITIONAL INFORMATION PLEASE CALL THE NUMBER BELOW.
PLEASE HAVE SERIAL NUMBER READY TO ENSURE QUICK SERVICE.

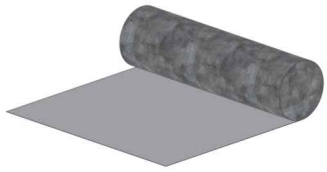
Ⓐ 140X
1 1/2" #8 FLAT HEAD (#2 ROBERTSON)



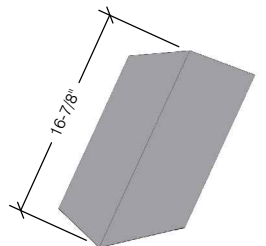
Ⓡ 4X
1" #10 METAL ROOF SCREW (1/4" HEAD)

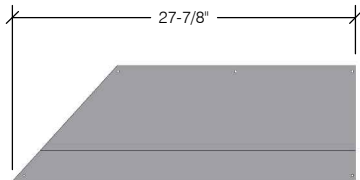
8x 2822
OUTER CLOSURE TAB



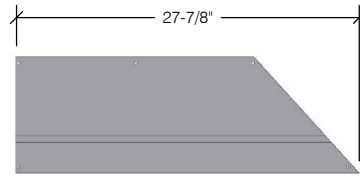
1x 2436
TAR PAPER




4x 3074
ROOF SHEET SUPPORT



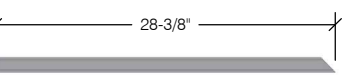
4x 2914
UPPER LEFT PANEL



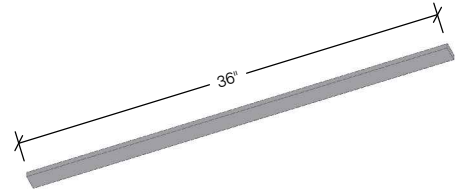
4x 2913
UPPER RIGHT PANEL



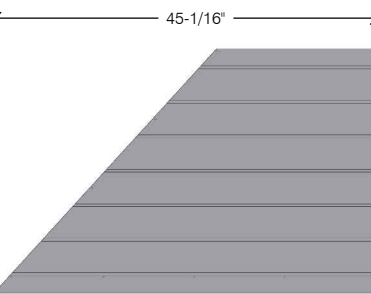
4x 2922
H-PROFILE DIVIDER LEFT



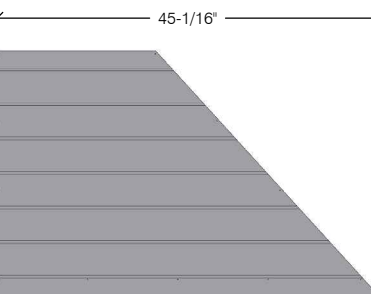
4x 2921
H-PROFILE DIVIDER RIGHT



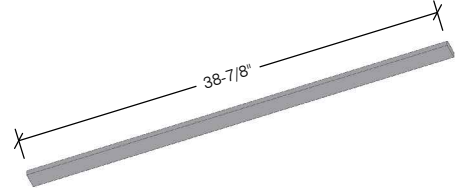
2x 2932
SKYLIGHT BOX FILLER - SHORT



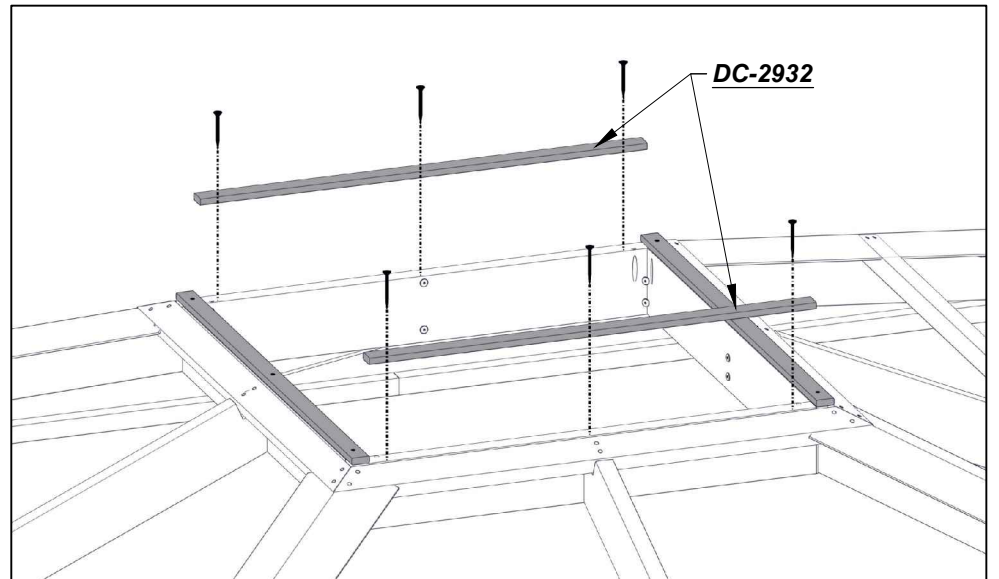
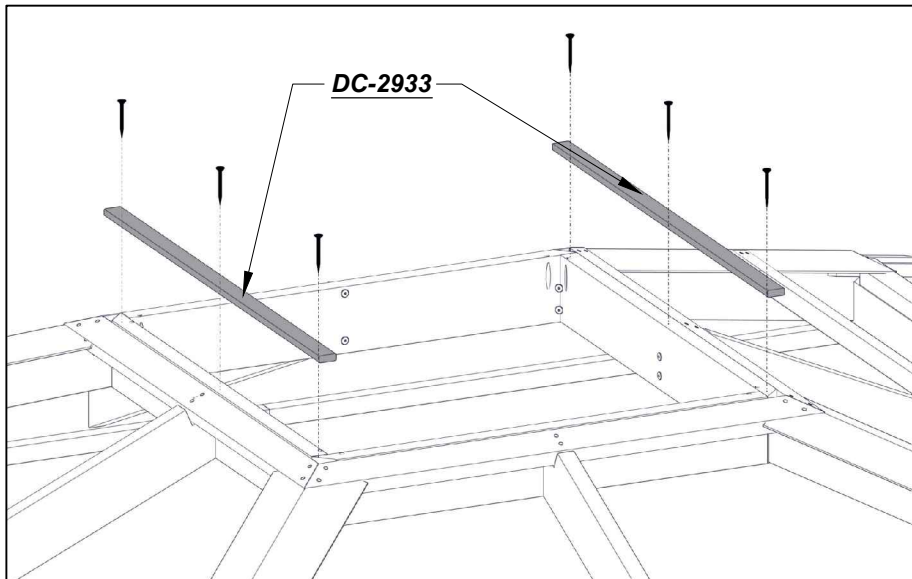
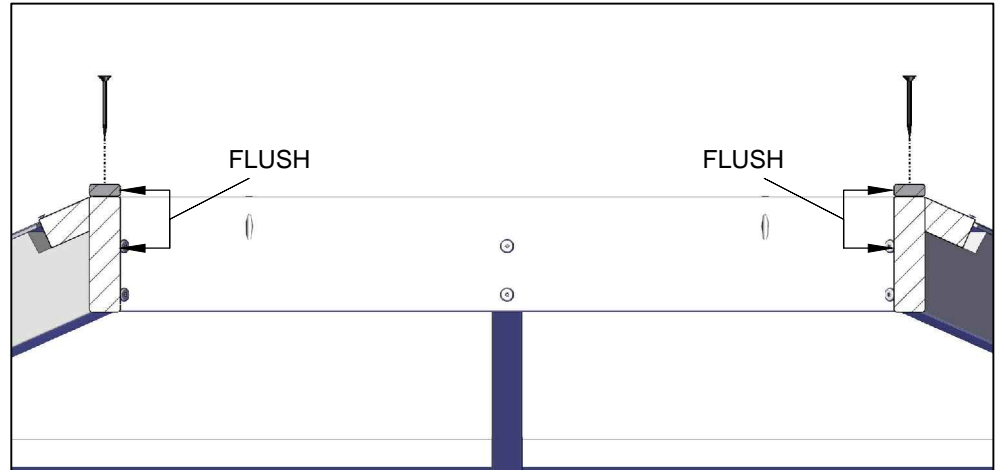
4x 2916
LOWER LEFT PANEL

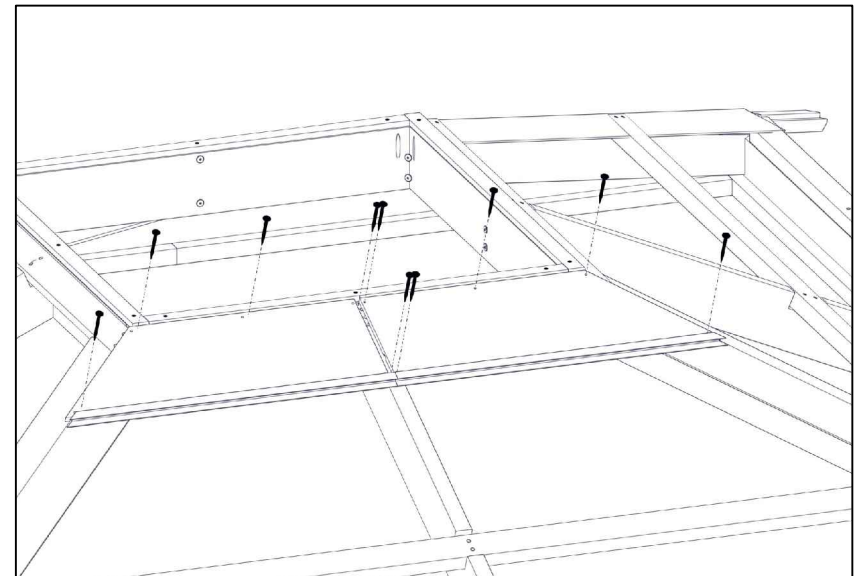
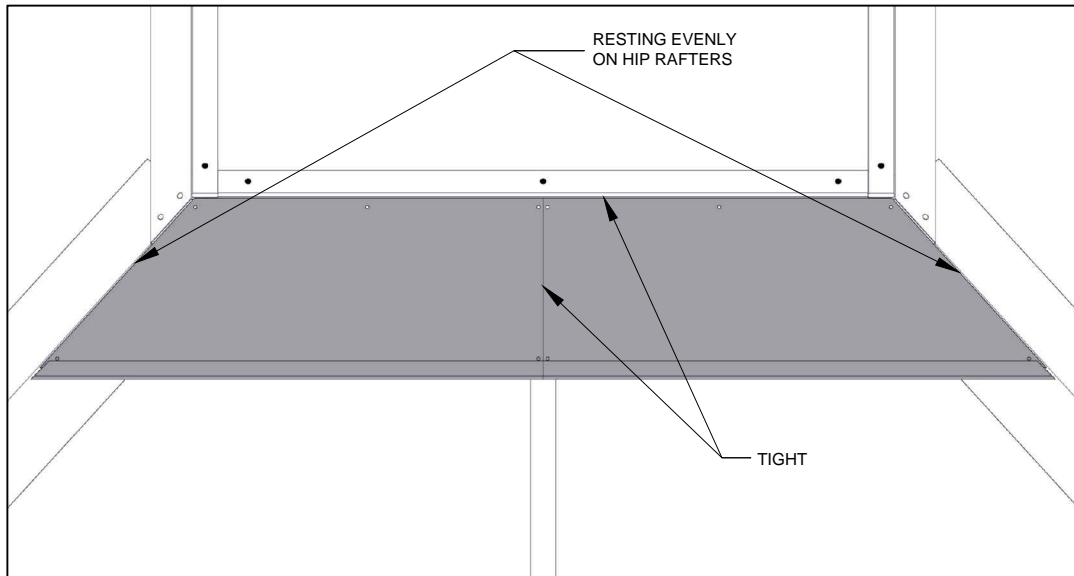
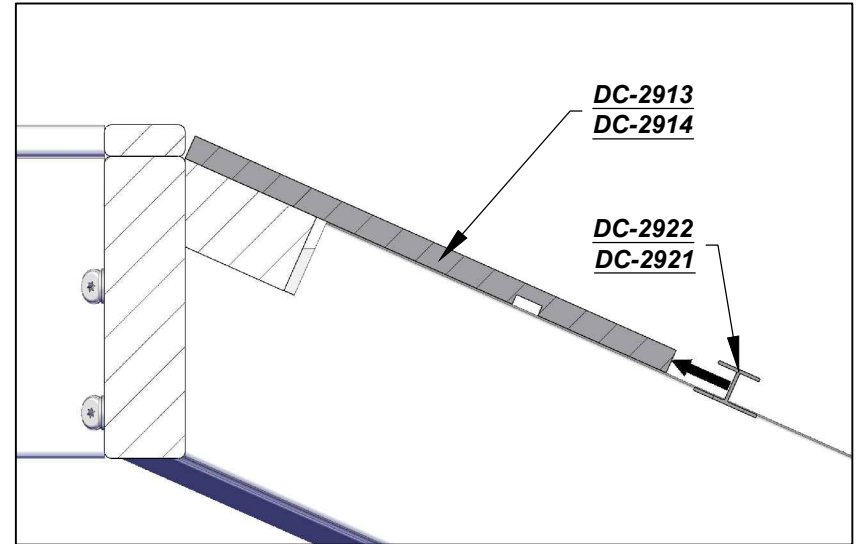
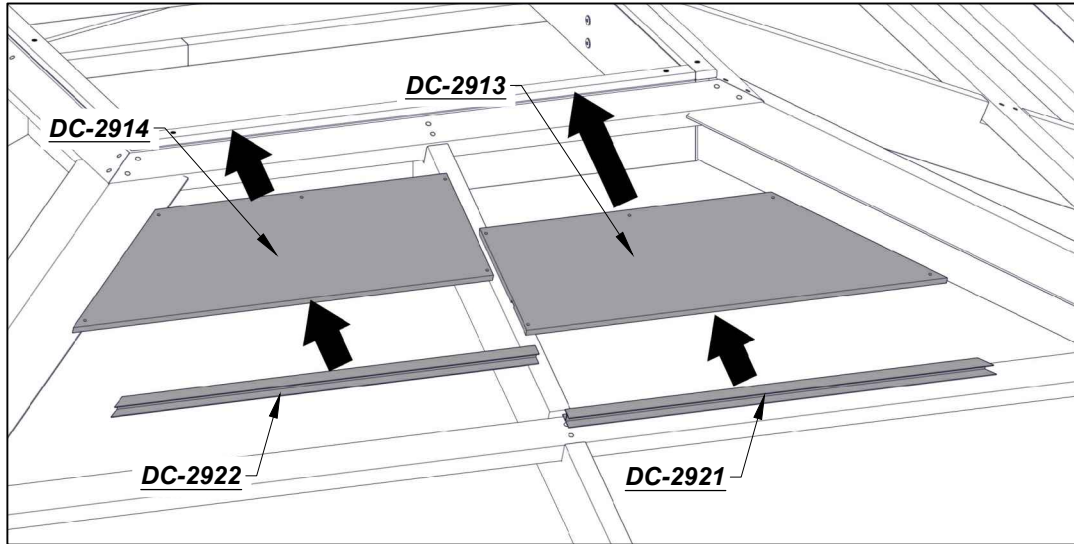


4x 2915
LOWER RIGHT PANEL



2x 2933
SKYLIGHT BOX FILLER - LONG



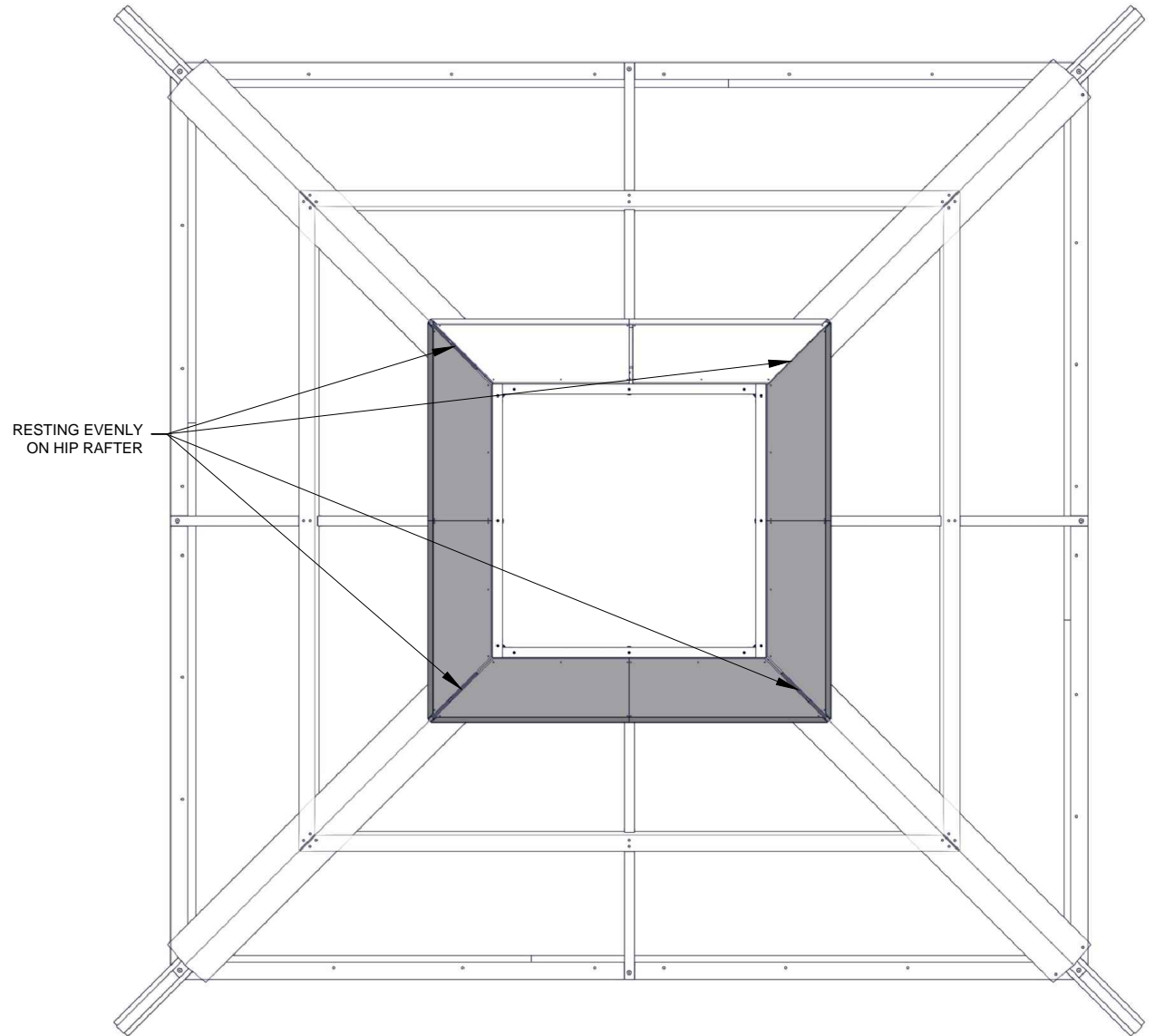




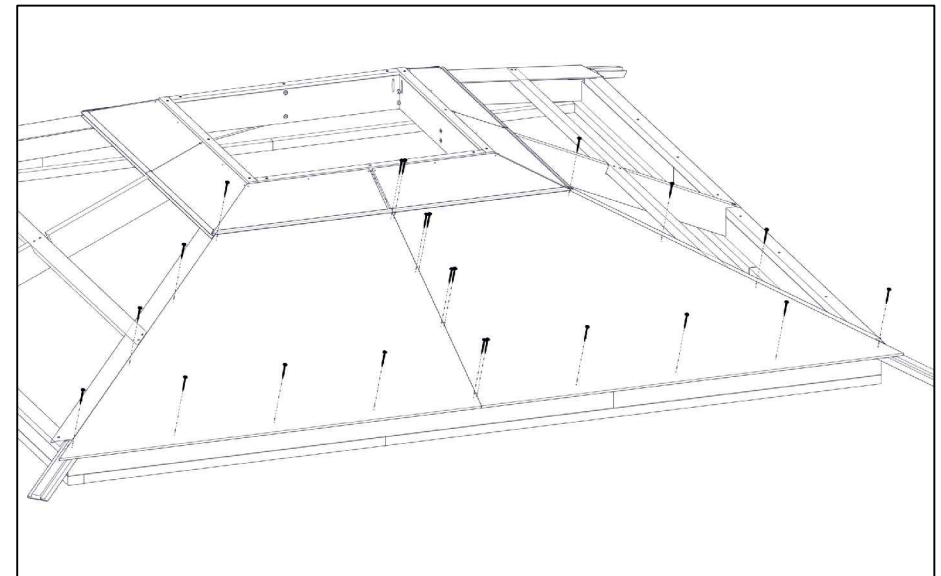
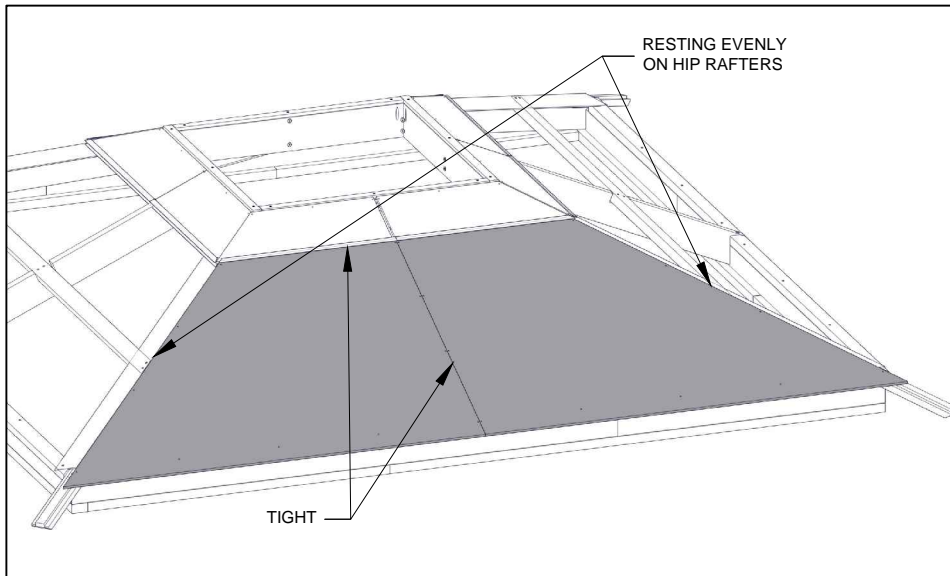
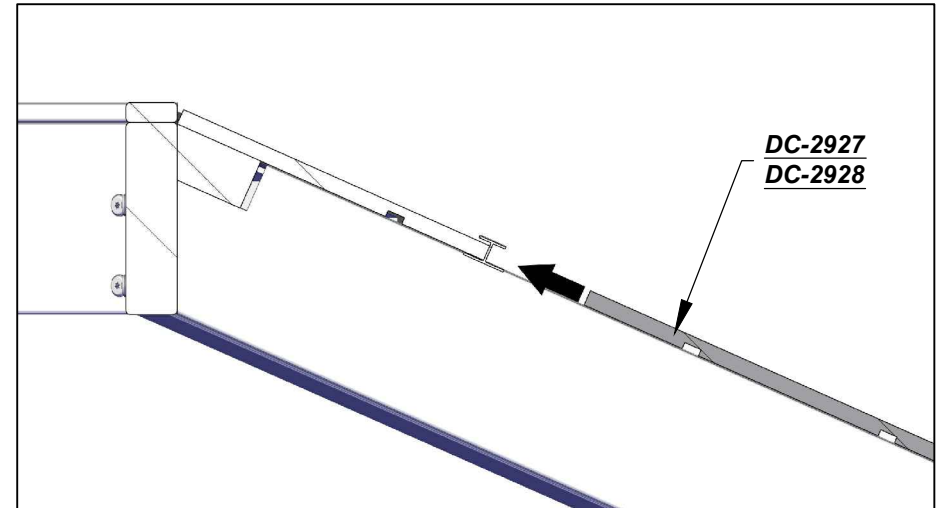
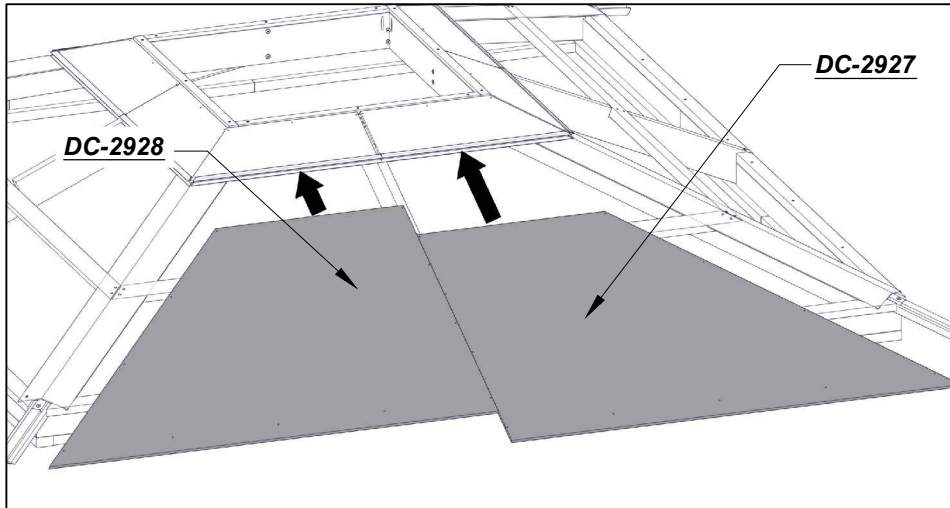
STEP 3

11X11 SL CEILING KIT

REPEAT STEP 2 FOR THE REMAINING SECTIONS OF ROOF.
ONLY FASTEN THROUGH PRE-PUNCHED HOLE LOCATIONS.



ONLY FASTEN THROUGH PRE-PUNCHED HOLE LOCATIONS.

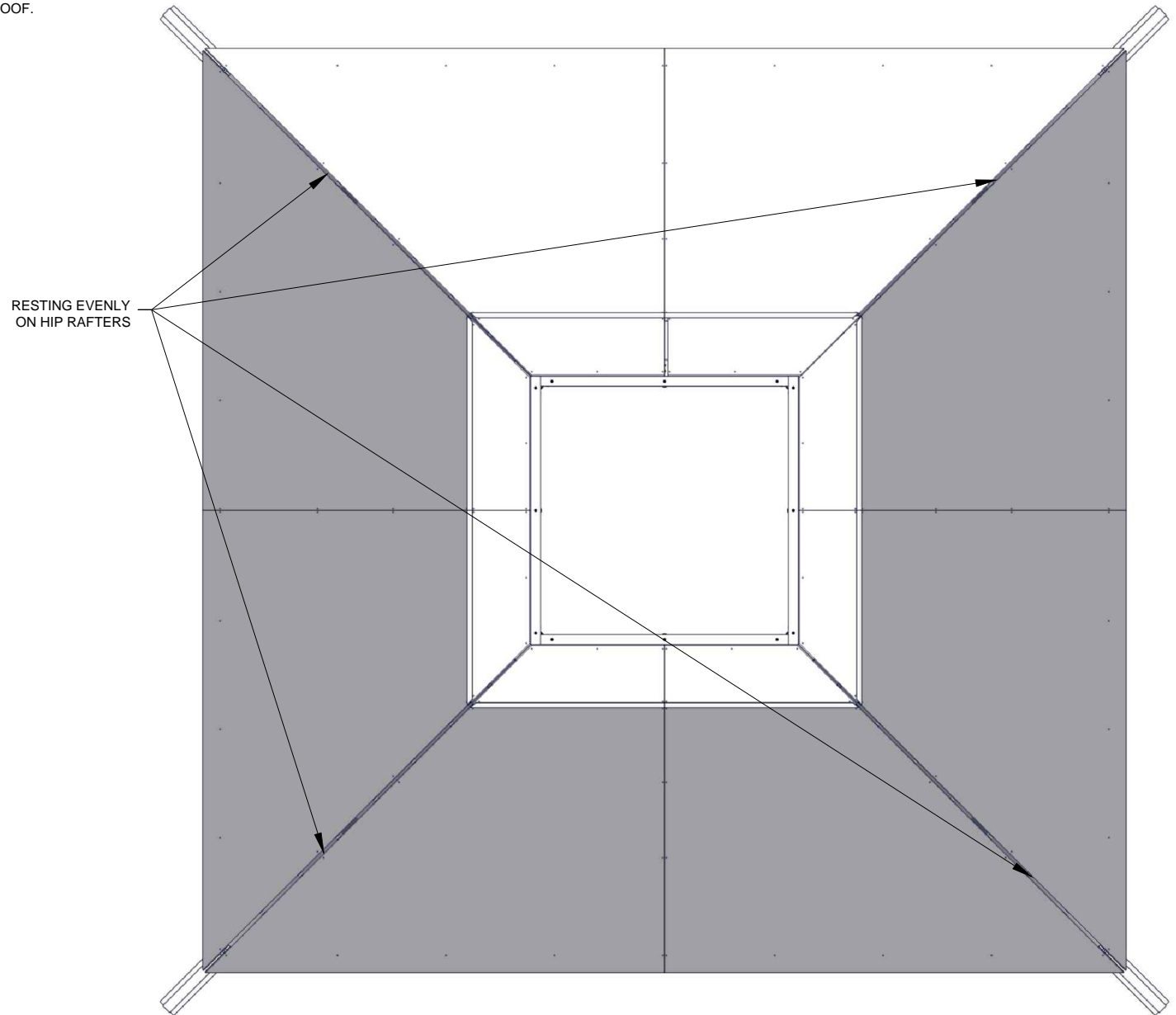




STEP 5

11X11 SL CEILING KIT

REPEAT STEP 4 FOR THE THREE REMAINING SECTIONS OF ROOF.
ONLY FASTEN THROUGH PRE-PUNCHED HOLE LOCATIONS.

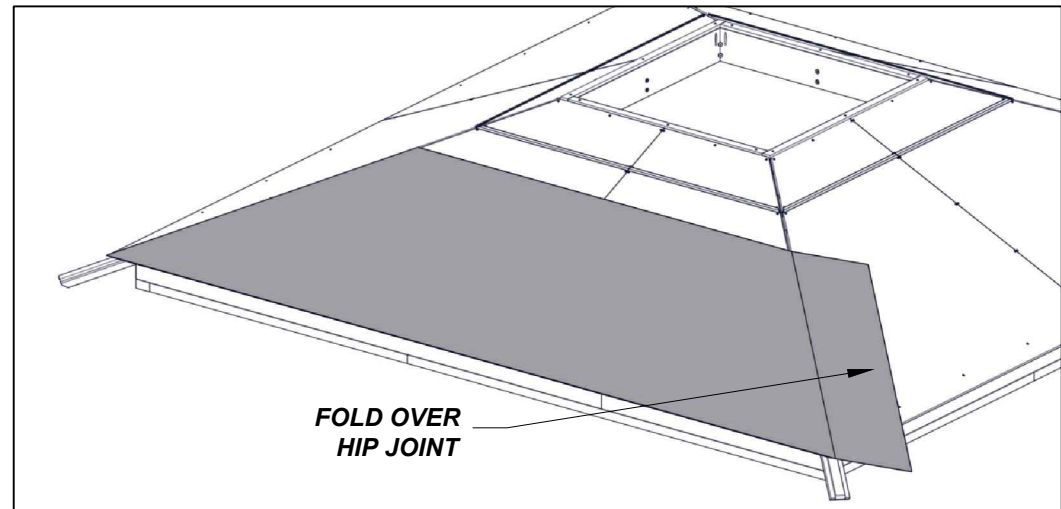
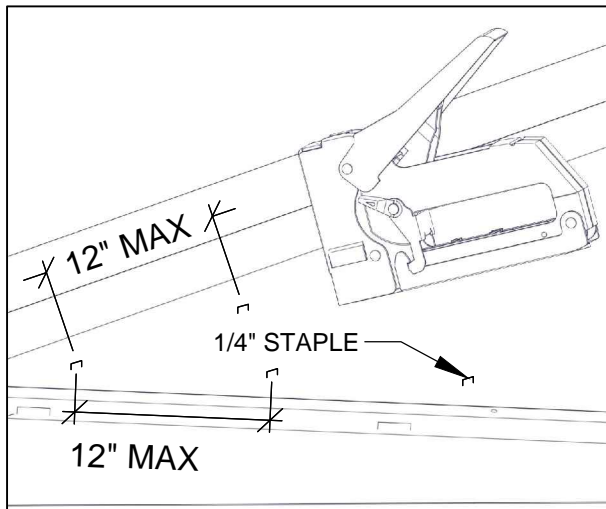
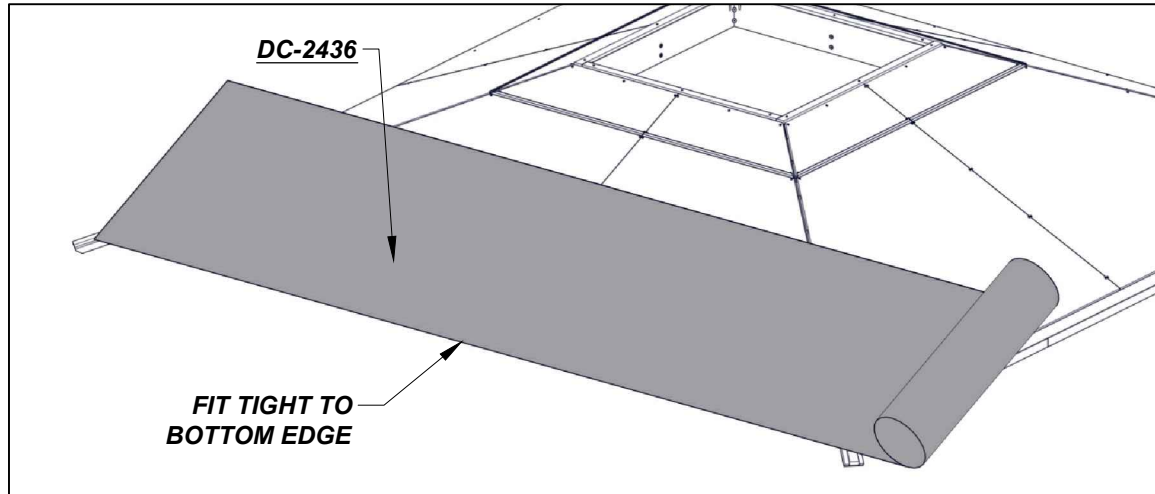


ROLL TAR PAPER (DC 2436) FLAT ACROSS CEILING BOARDS, TIGHT TO THE BOTTOM MOST EDGE OF THE CEILING PANEL.

FOLD TAR PAPER OVER HIP JOINTS.

STAPLE THE FIRST ROW OF TAR PAPER TO THE CEILING BOARDS USING 1/4" STAPLES, SPACED A MAXIMUM OF 12" APART FROM EACH OTHER.

FASTEN EACH ROW OF TAR PAPER BEFORE MOVING ON TO NEXT ROW.



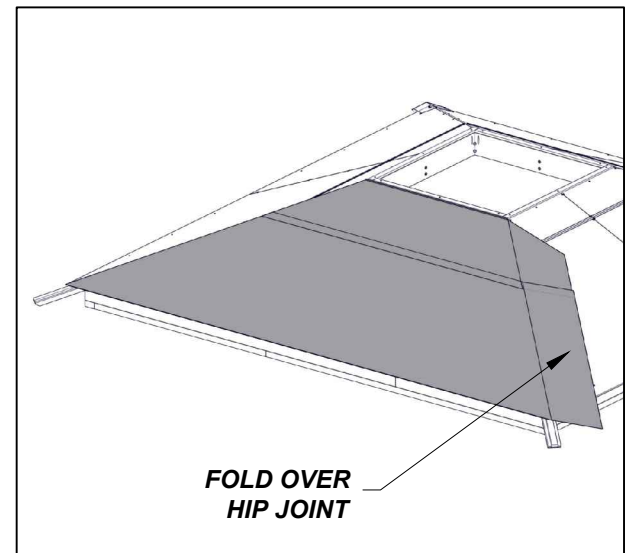
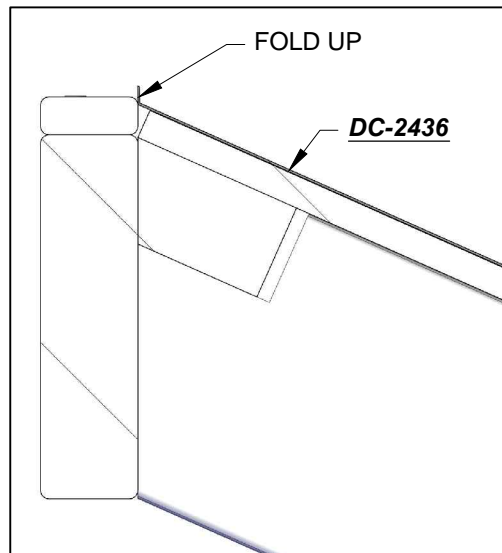
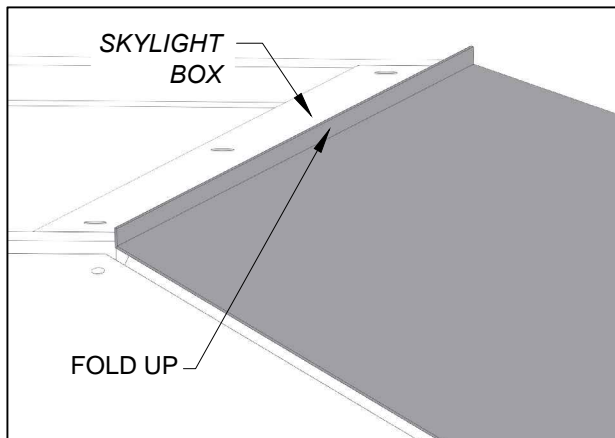
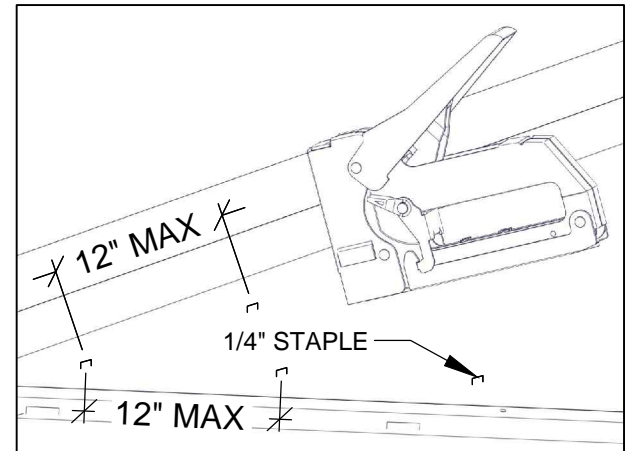
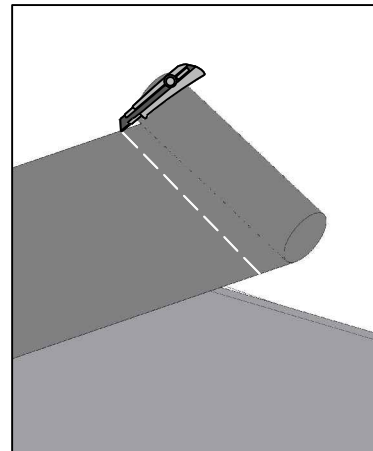
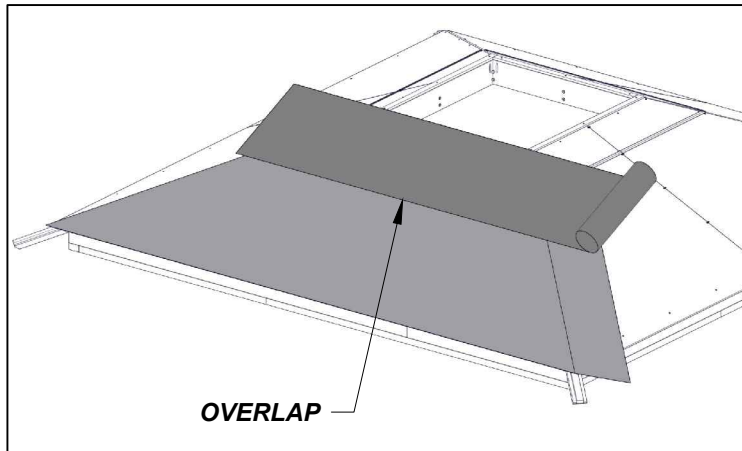
ROLL TAR PAPER (DC 2436) FLAT ACROSS CEILING BOARDS.

FOLD TAR PAPER ONTO SKYLIGHT BOX.

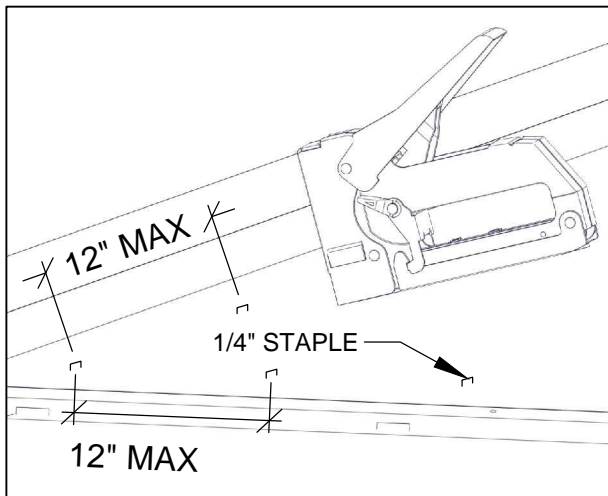
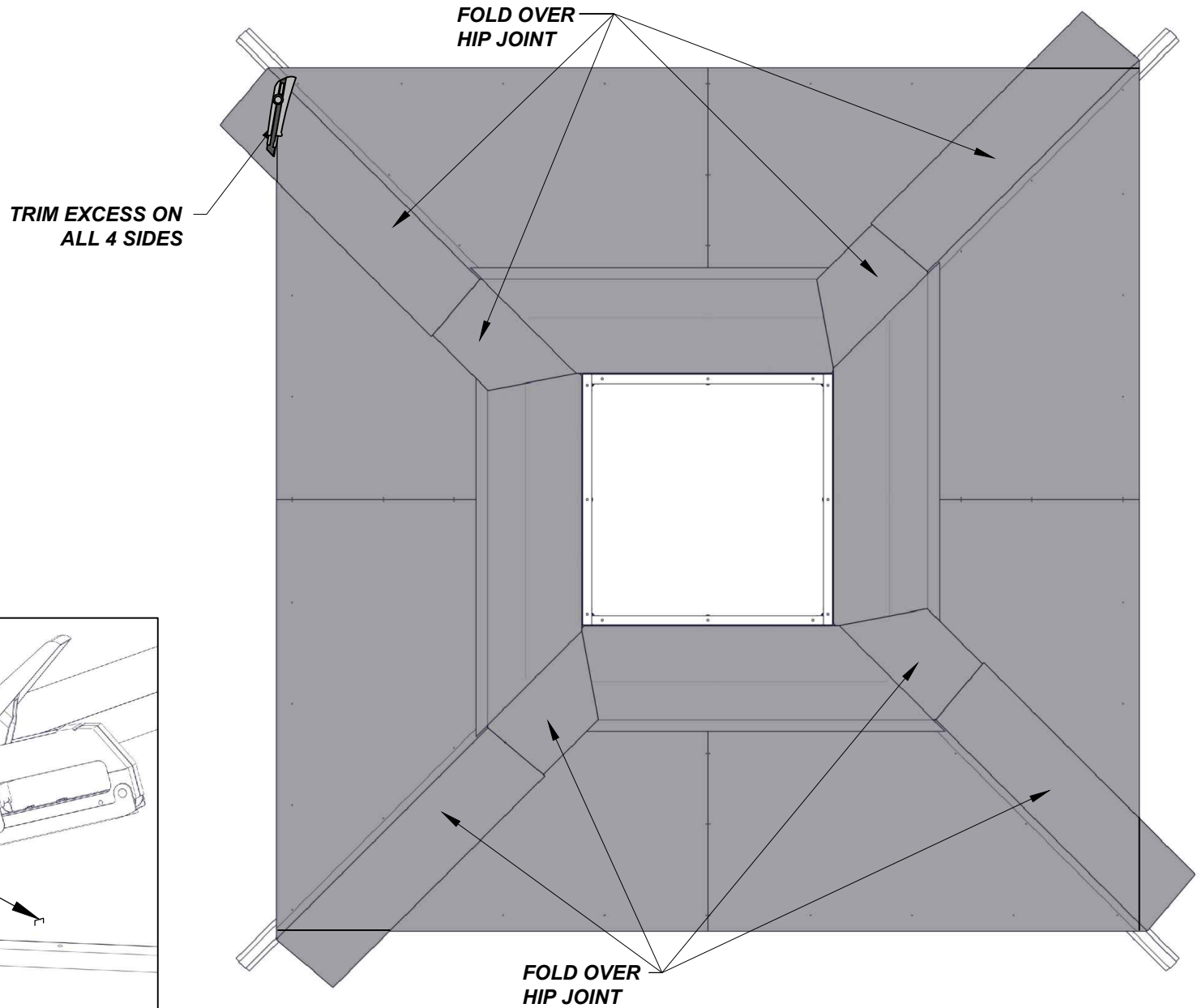
FOLD TAR PAPER OVER HIP JOINTS.

STAPLE THE TAR PAPER TO THE CEILING BOARDS USING 1/4" STAPLES, SPACED A MAXIMUM OF 12" APART FROM EACH OTHER.

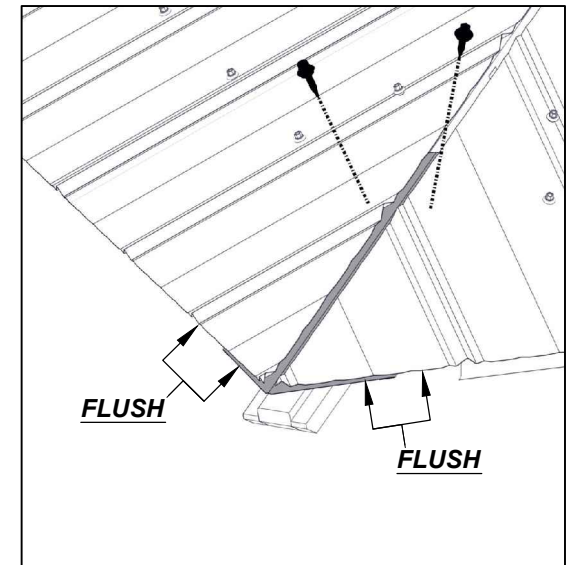
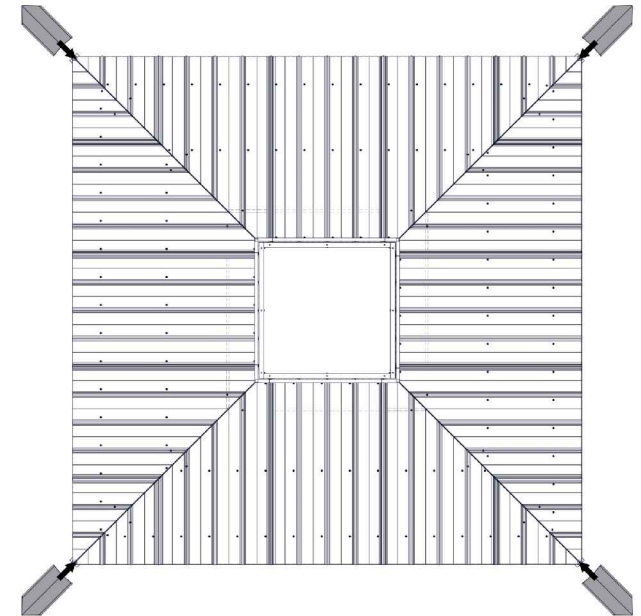
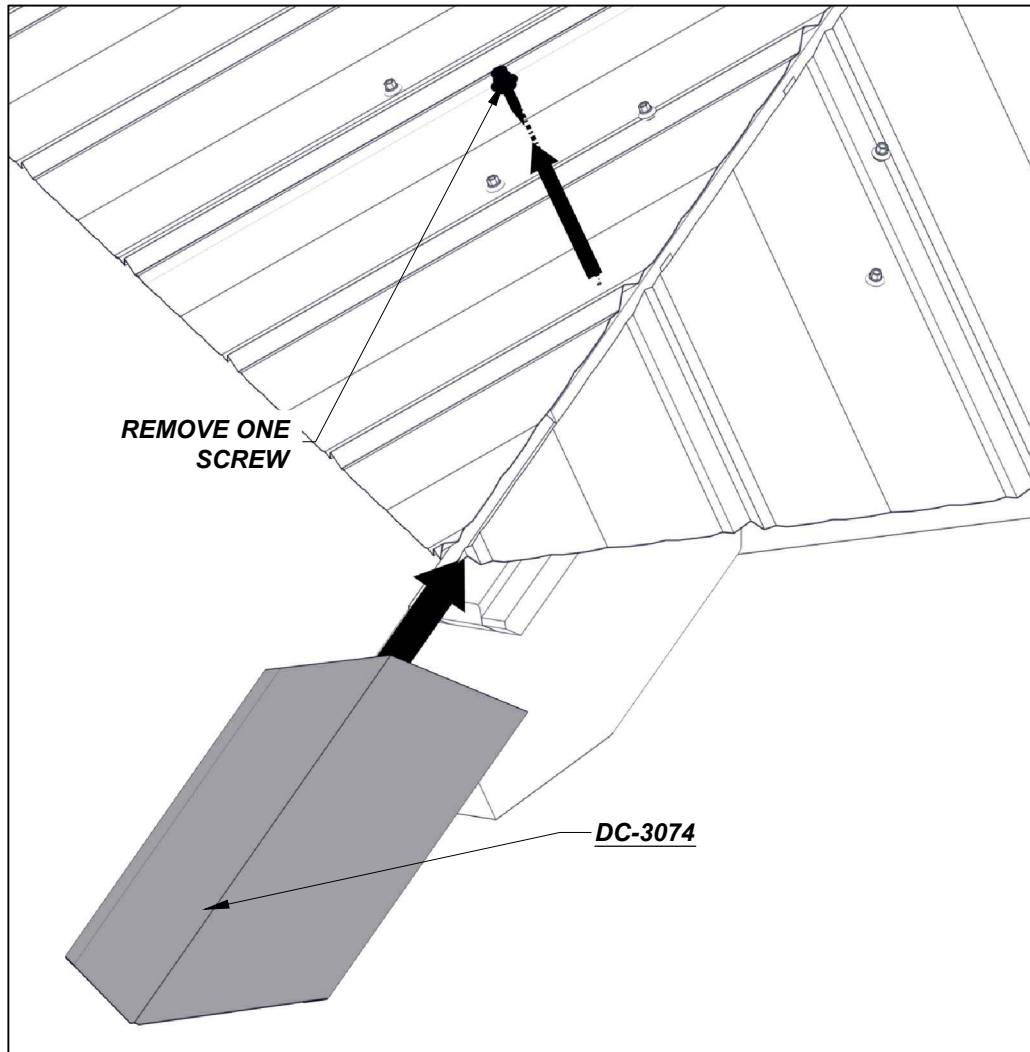
FASTEN EACH ROW OF TAR PAPER BEFORE MOVING ON TO NEXT ROW.



REPEAT STEPS 6 & 7 FOR THE REMAINING SECTIONS OF ROOF.



ROOF SHEET SUPPORT (DC 3074) IS TO BE LOCATED **OVER** TAR PAPER, AND **UNDER** ROOF SHEET.
REPEAT THIS STEP FOR ALL FOUR ROOF SHEET SUPPORTS.



- ① 4X  1" #10 METAL ROOF SCREW (1/4" HEAD)

ATTACH OUTER CLOSURE TABS (DC 2822) TO THE TOP EDGE OF THE ROOFING SHEETS.

TRIM CLOSURE TABS TO SUIT.

RETURN TO MAIN STRUCTURE INSTRUCTIONS.

