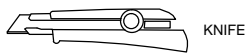
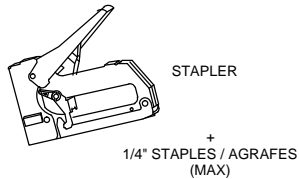
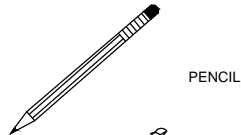
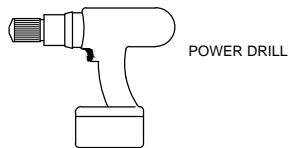






### TOOLS NEEDED



### BEFORE YOU BEGIN



THESE INSTRUCTIONS MUST BE FOLLOWED STEP BY STEP. DEVIATION FROM THE INSTRUCTIONS MAY VOID THE PRODUCT'S WARRANTY. SEE WARRANTY SHEET FOR FURTHER DETAILS.

READ ALL INSTRUCTIONS THOROUGHLY BEFORE STARTING ASSEMBLY.

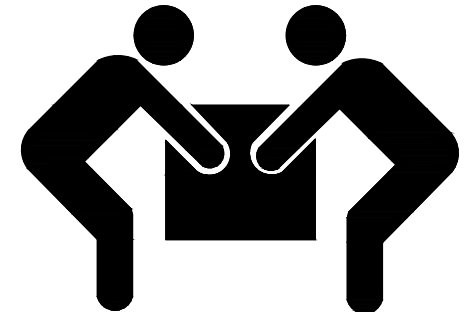
USE THE PARTS LIST AS A CHECKLIST FOR COMPONENTS.

UNWRAP PARTS ONLY AS NEEDED TO KEEP COMPONENT DEALER CODE LABEL INTACT FOR REFERENCE.

### TWO PERSON PROJECT

PRODUCT CAN BE HEAVY

USE CARE WHEN LIFTING



### SITE PREPARATION

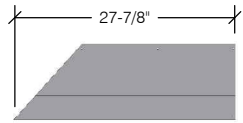
ASSEMBLE THE STRUCTURE ON A FIRM, LEVEL SURFACE.  
PROTECT THE PRODUCT FROM DAMAGE AS SOME PIECES MAY BE FRAGILE.

### ESTIMATED ASSEMBLY TIME: 2 HOURS

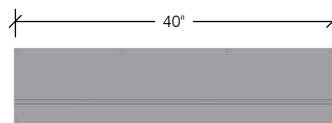
IF YOU REQUIRE ASSISTANCE, OR NEED TO ORDER REPLACEMENT PARTS,  
CONTACT YOUR VISSCHER DEALER.

FOR ADDITIONAL INFORMATION PLEASE CALL THE NUMBER BELOW.  
PLEASE HAVE SERIAL NUMBER READY TO ENSURE QUICK SERVICE.

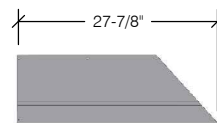




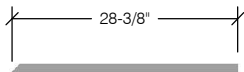
4x **2914**  
UPPER LEFT PANEL



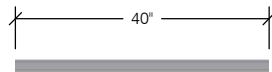
2x **2920**  
UPPER MID PANEL



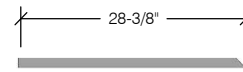
4x **2913**  
UPPER RIGHT PANEL



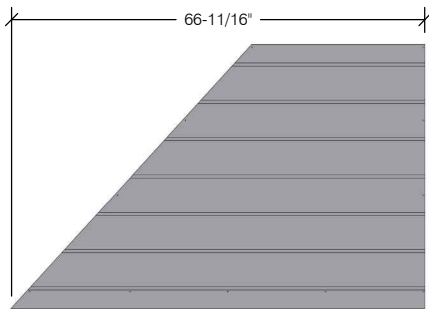
4x **2922**  
H-PROFILE DIVIDER  
LEFT



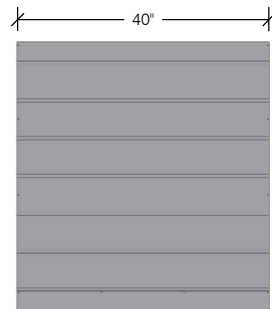
2x **2923**  
H-PROFILE DIVIDER  
MIDDLE



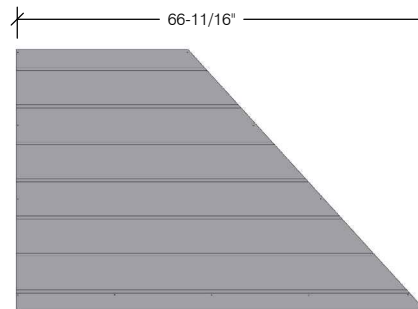
4x **2921**  
H-PROFILE DIVIDER  
RIGHT



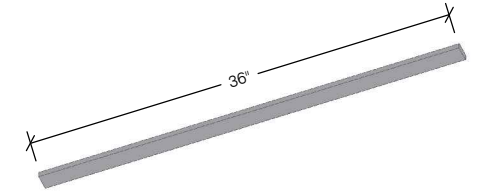
4x **2916**  
LOWER LEFT PANEL



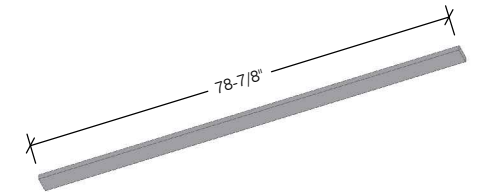
2x **2919**  
LOWER MID PANEL



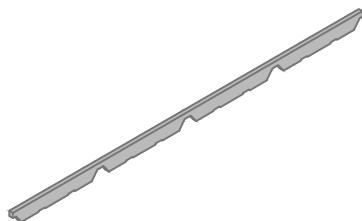
4x **2915**  
LOWER RIGHT PANEL



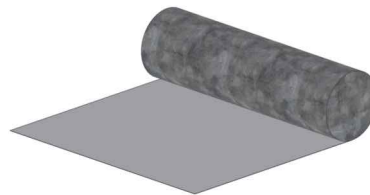
4x **2932**  
SKYLIGHT BOX FILLER -  
SHORT



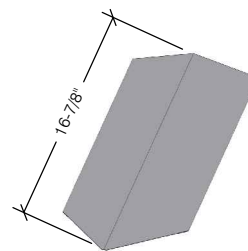
2x **2931**  
SKYLIGHT BOX FILLER -  
LONG



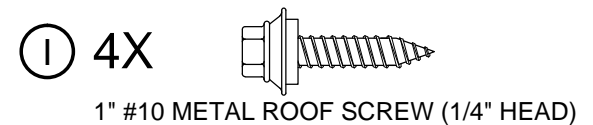
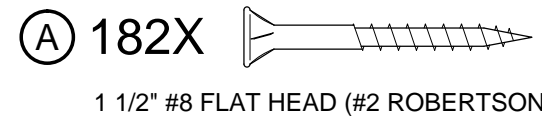
10x **2822**  
OUTER CLOSURE TAB



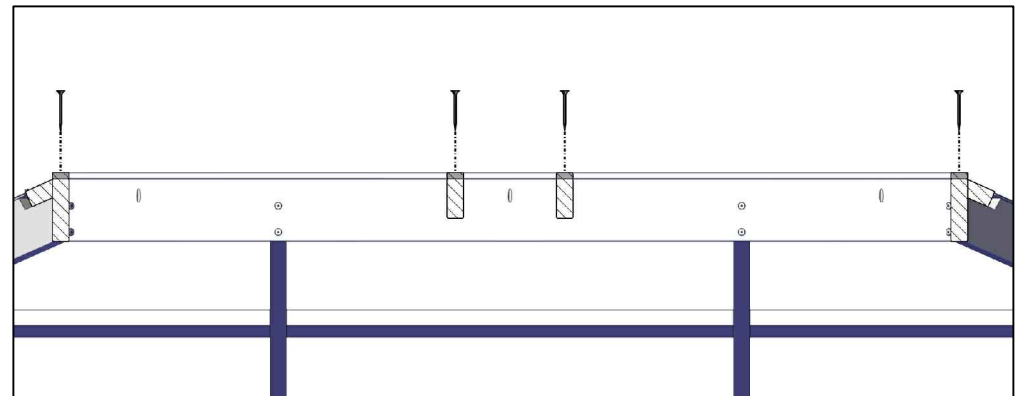
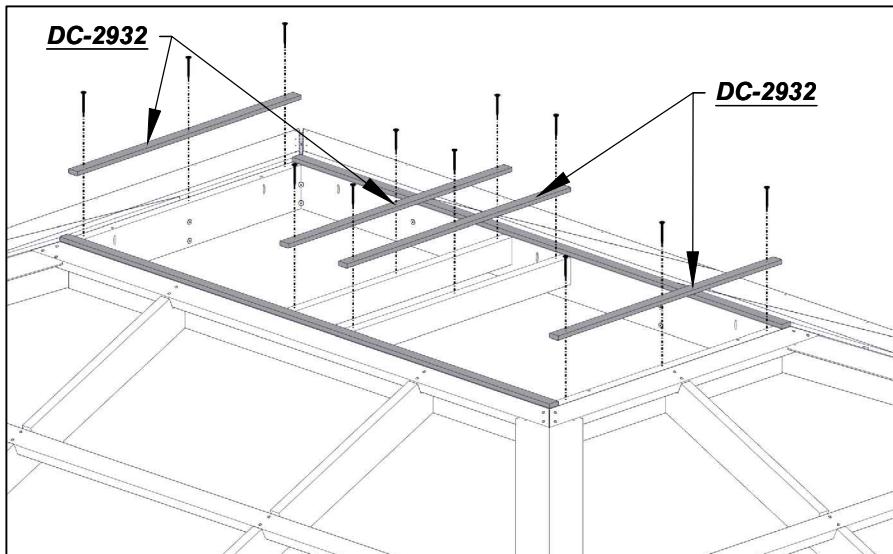
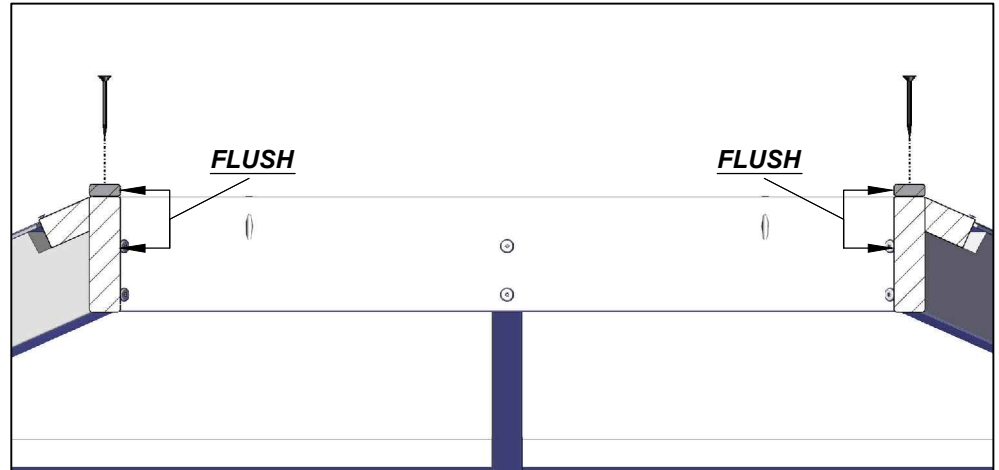
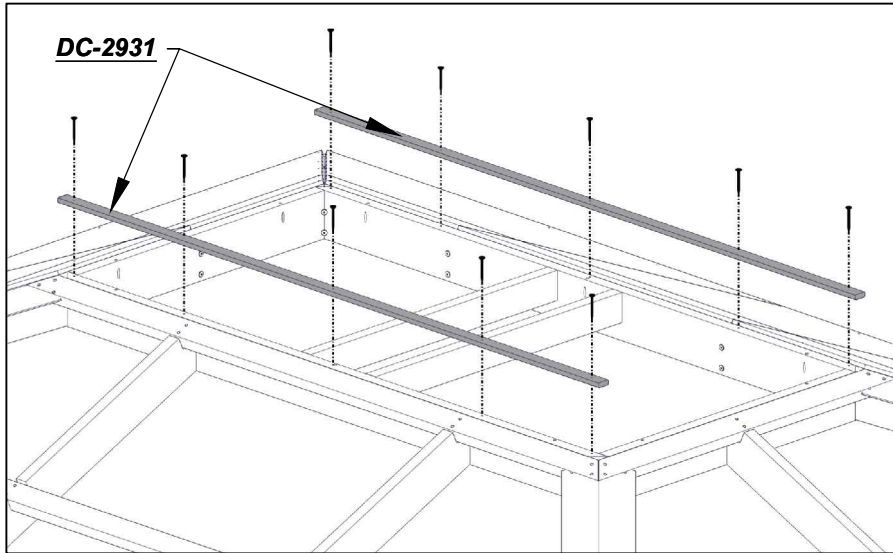
1x **2436**  
TAR PAPER



4x **3074**  
ROOF SHEET SUPPORT





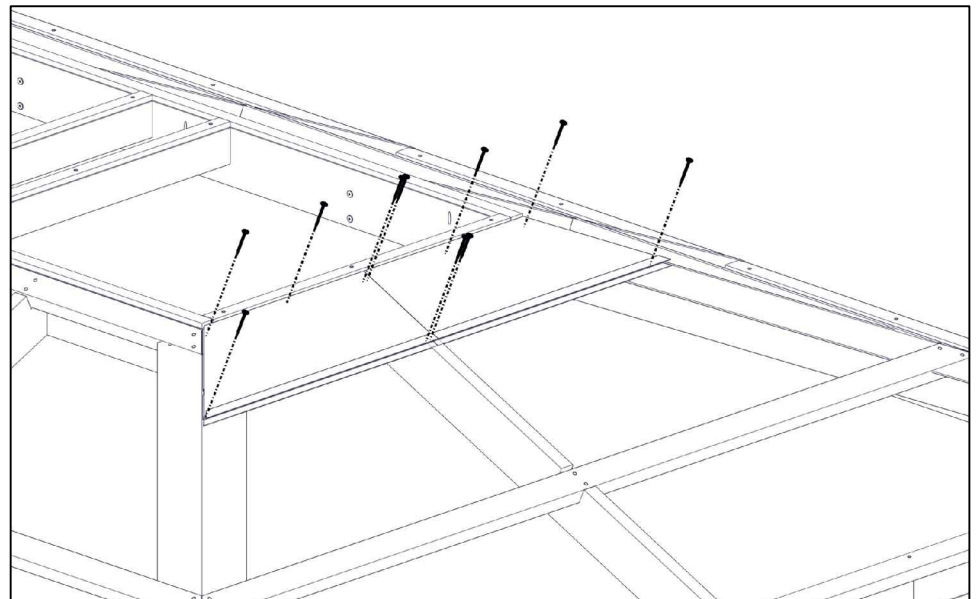
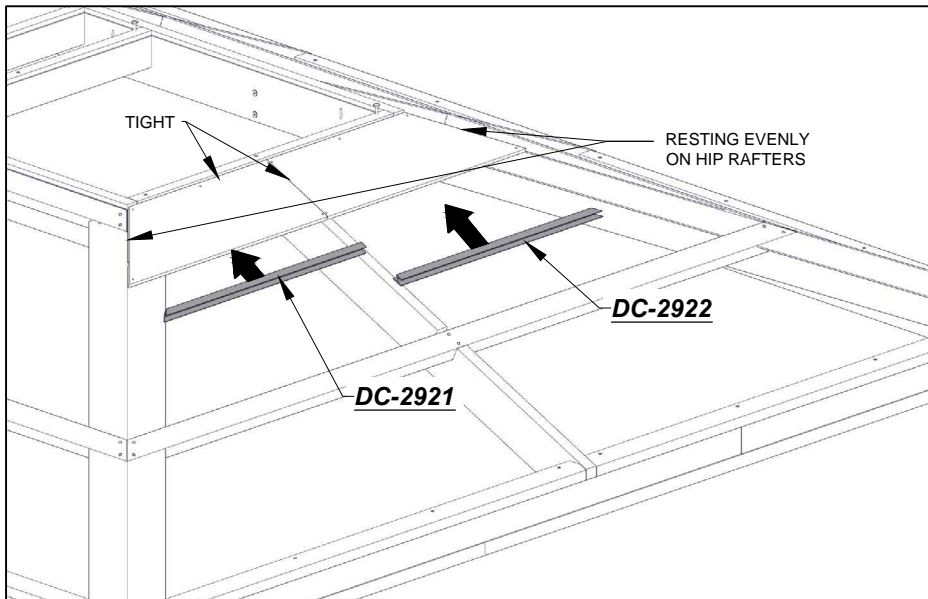
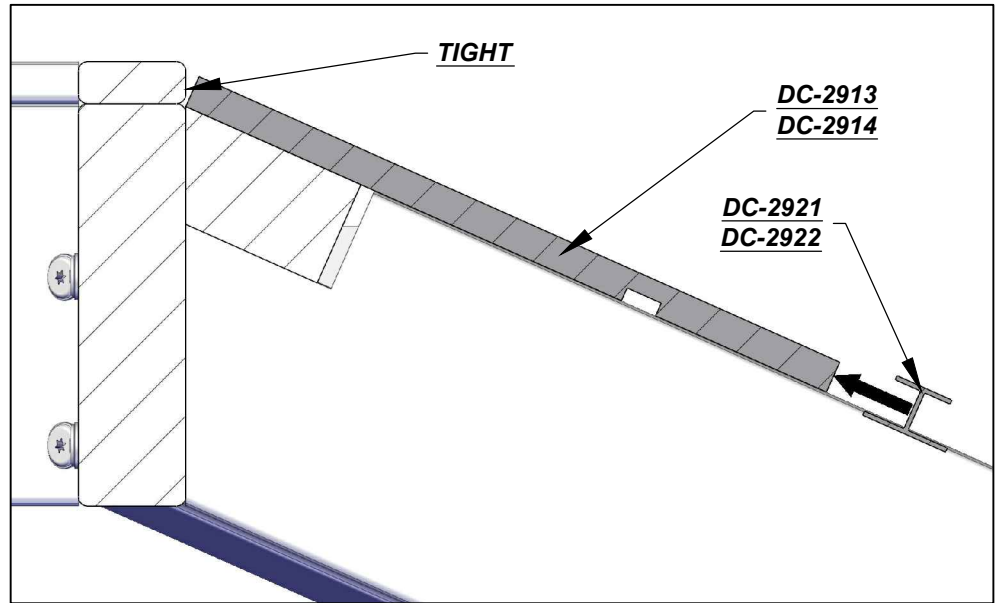
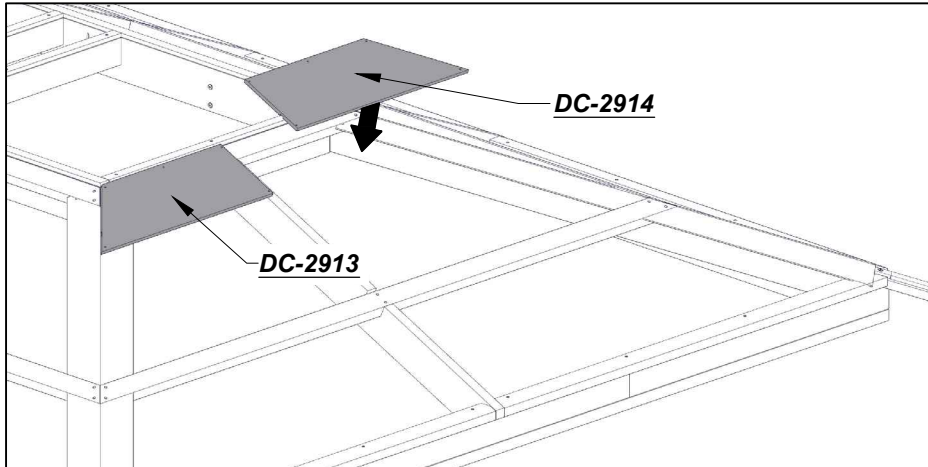




# STEP 2

# 11X14 SL CEILING KIT

ONLY FASTEN THROUGH PRE-PUNCHED HOLE LOCATIONS.



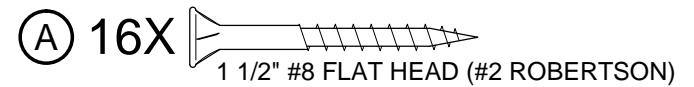
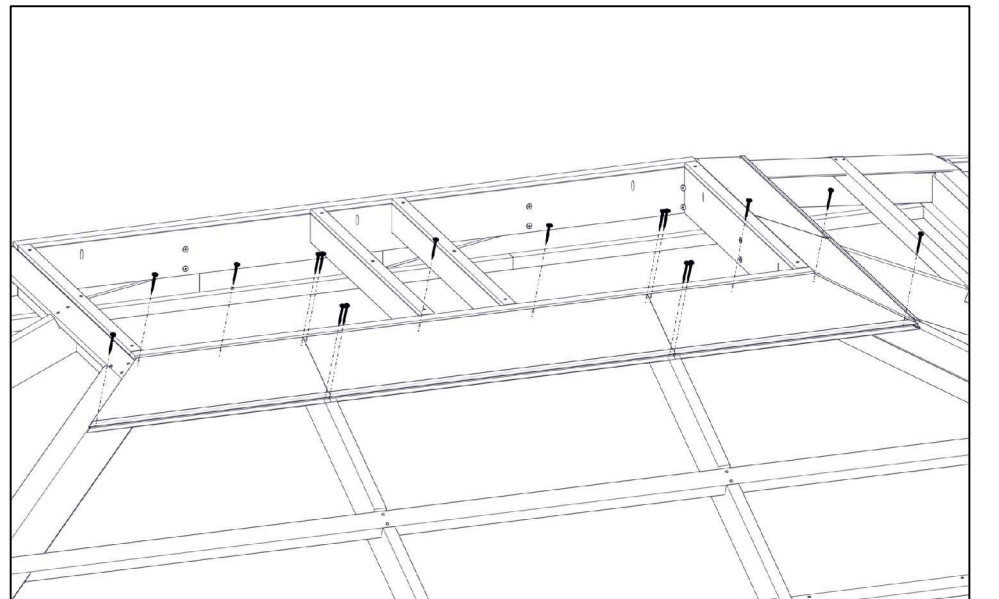
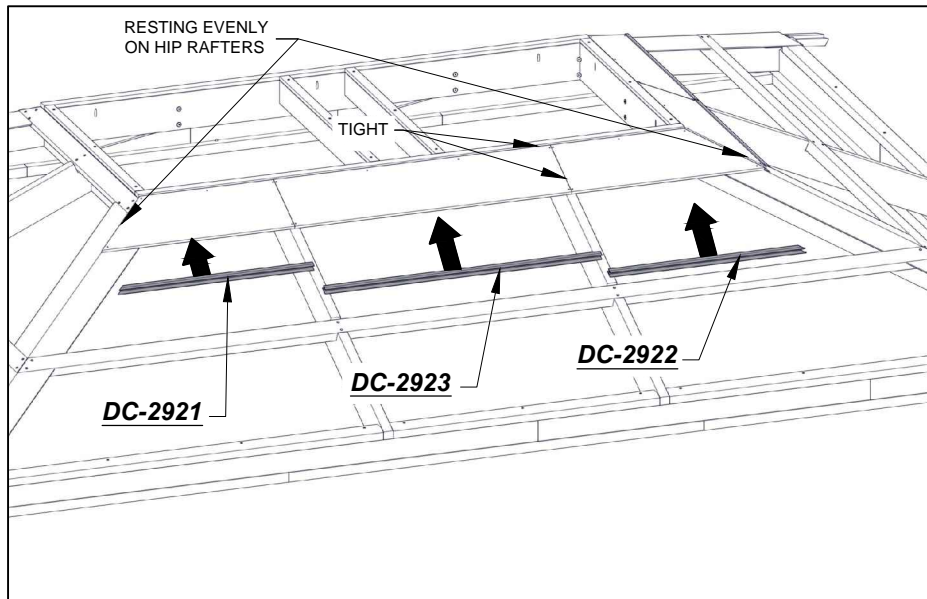
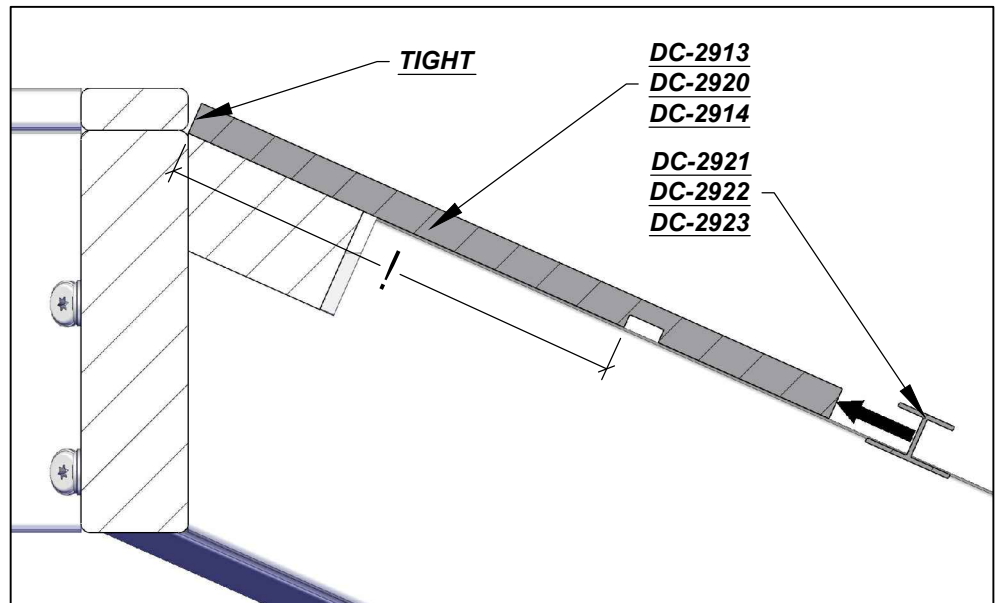
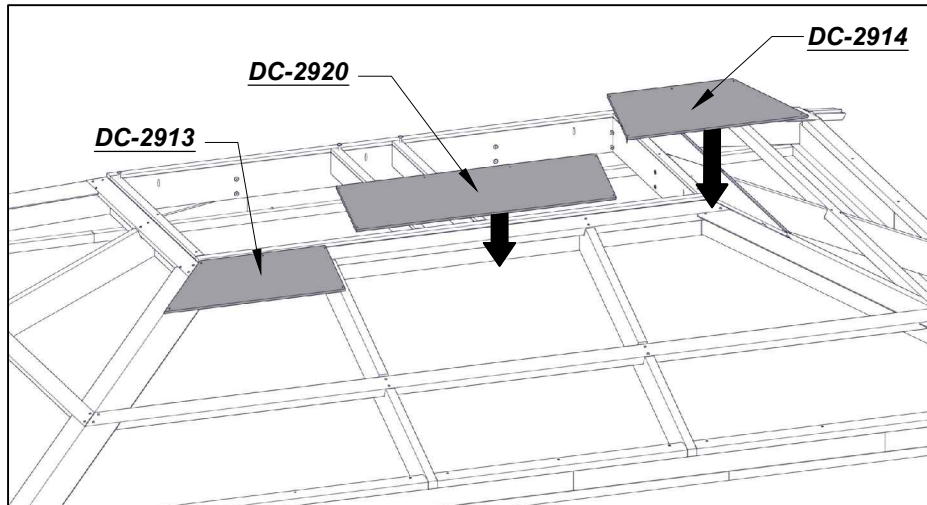




# STEP 3

# 11X14 SL CEILING KIT

ONLY FASTEN THROUGH PRE-PUNCHED HOLE LOCATIONS.

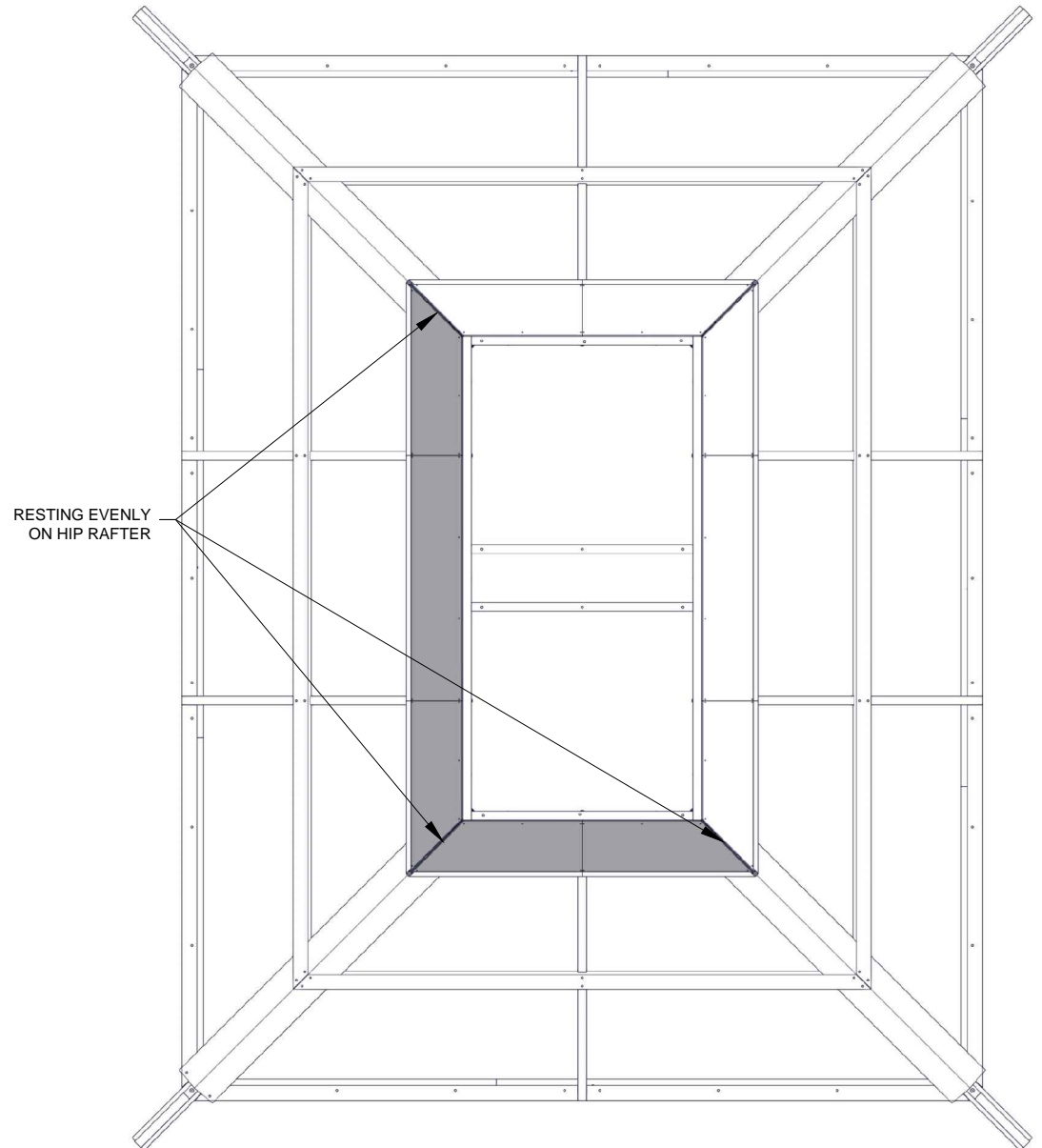




# STEP 4

# 11X14 SL CEILING KIT

REPEAT STEPS 2 & 3 FOR THE OPPOSITE SECTIONS OF ROOF.  
ONLY FASTEN THROUGH PRE-PUNCHED HOLE LOCATIONS.

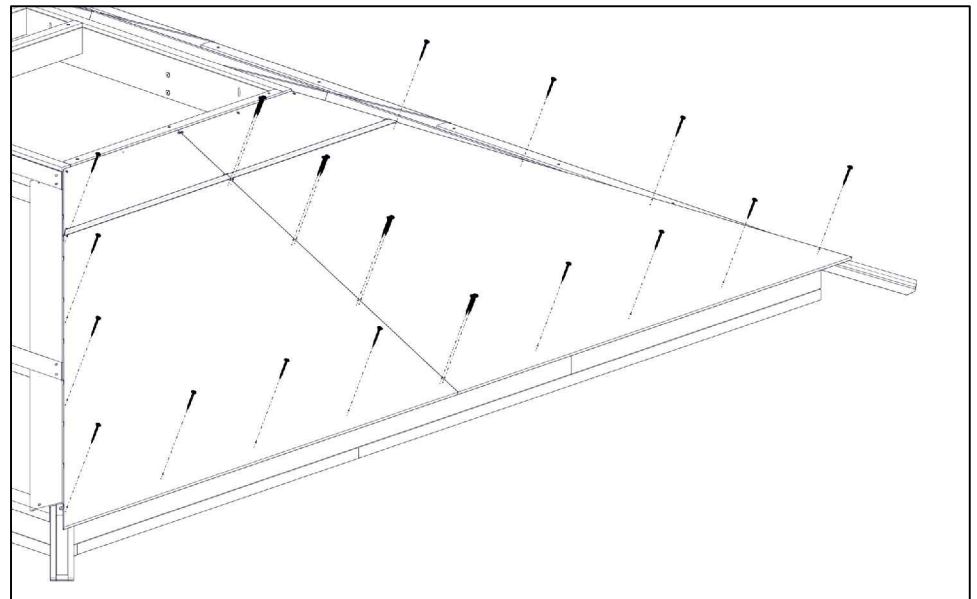
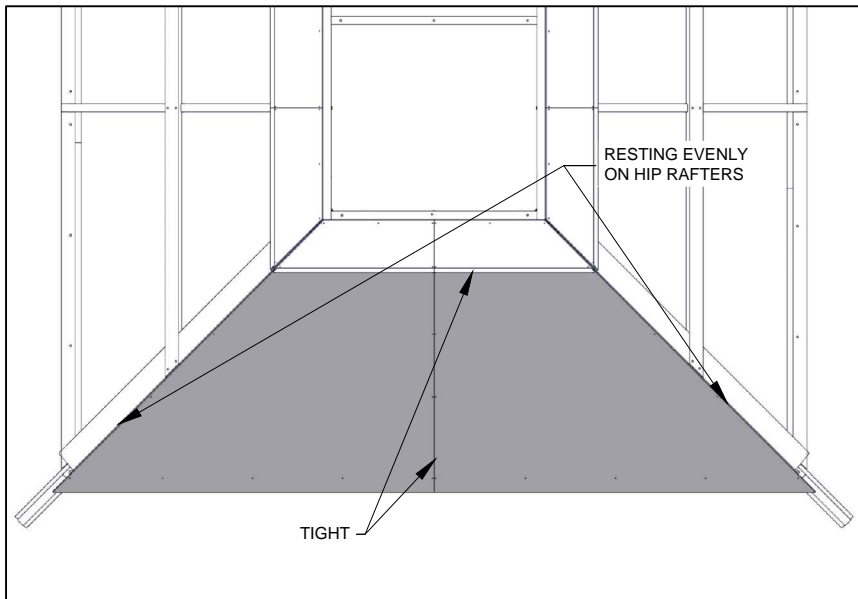
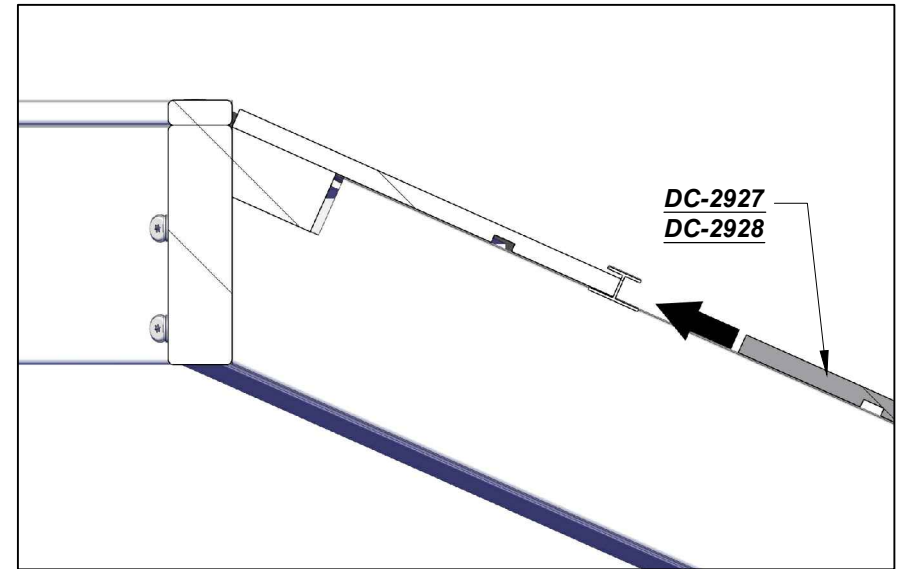
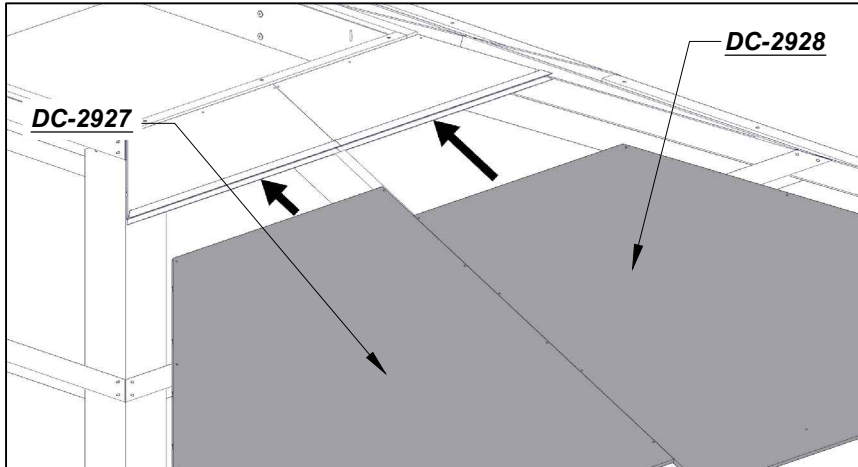


(A) 26X



1 1/2" #8 FLAT HEAD (#2 ROBERTSON)

ONLY FASTEN THROUGH PRE-PUNCHED HOLE LOCATIONS.

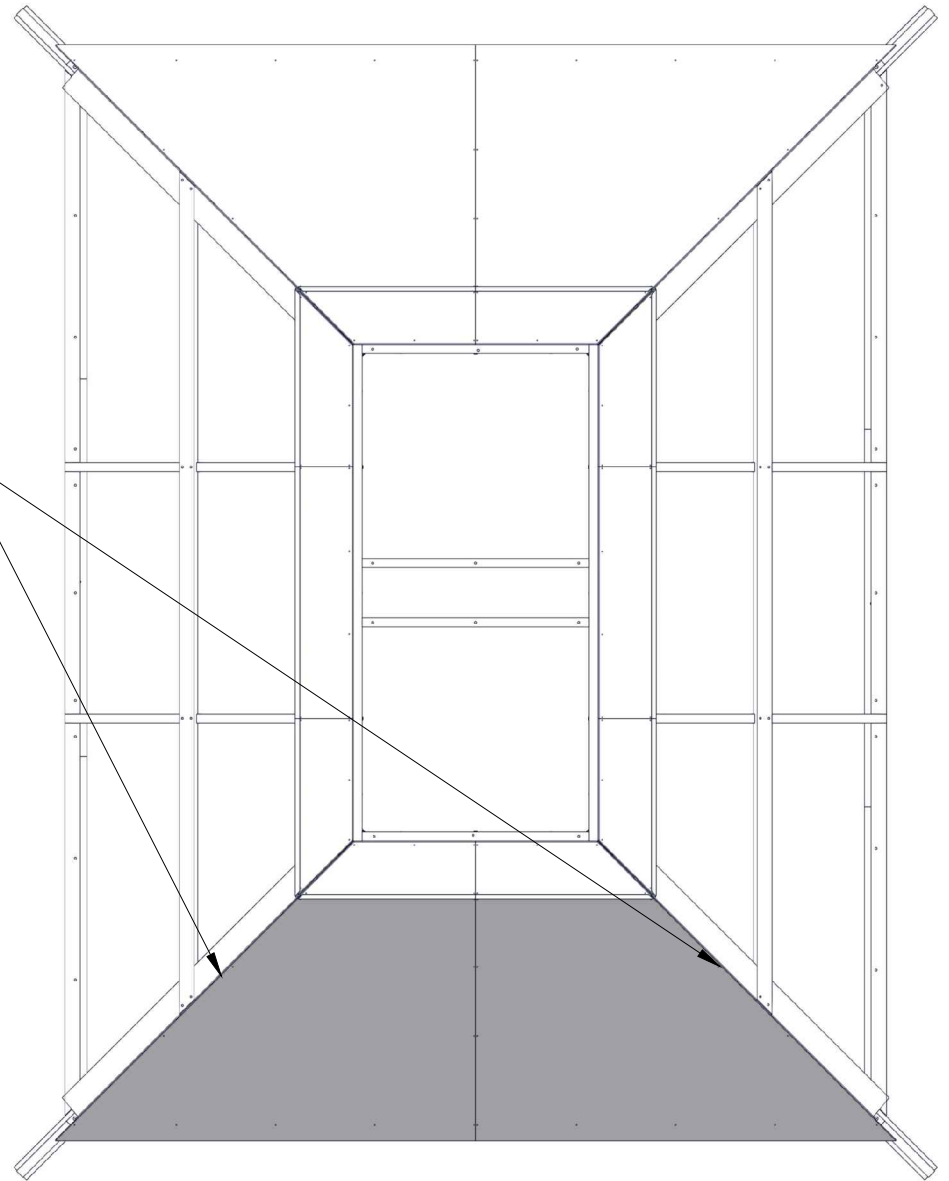


(A) 22X

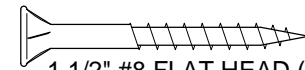


REPEAT STEP 5 FOR THE OPPOSITE SECTION OF ROOF.  
ONLY FASTEN THROUGH PRE-PUNCHED HOLE LOCATIONS.

RESTING EVENLY  
ON HIP RAFTERS



(A) 22X



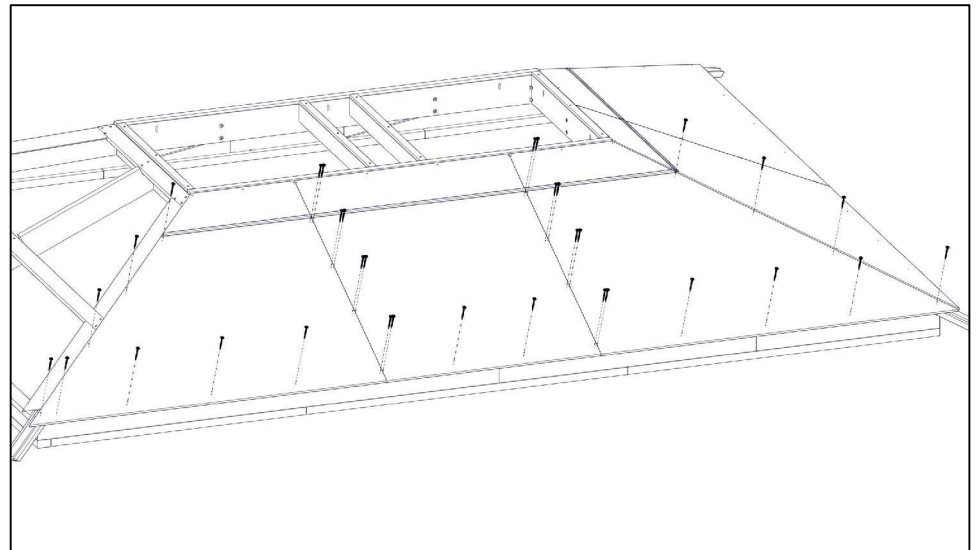
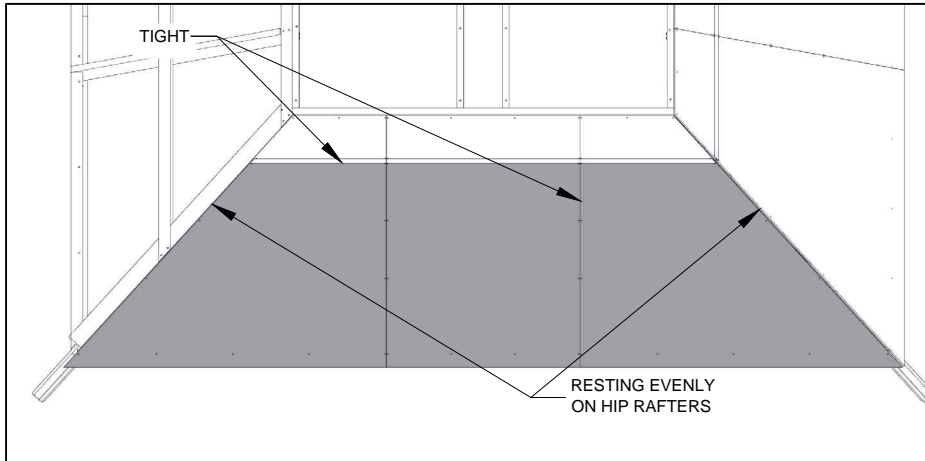
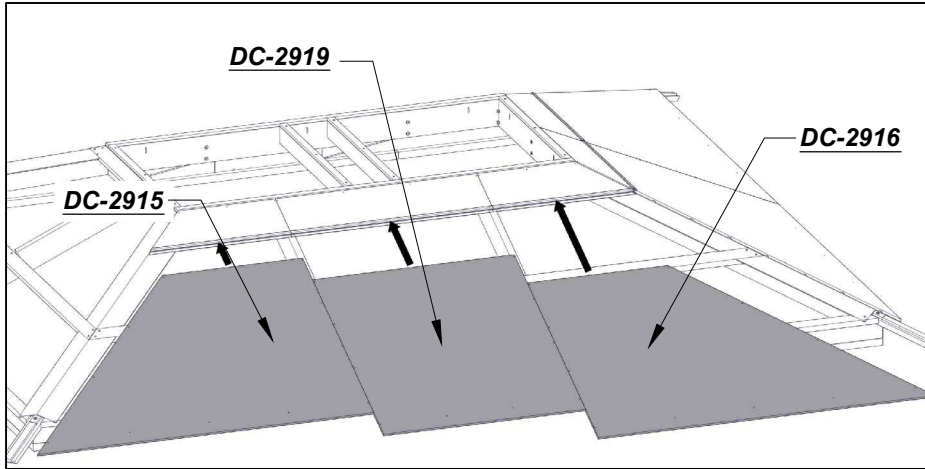
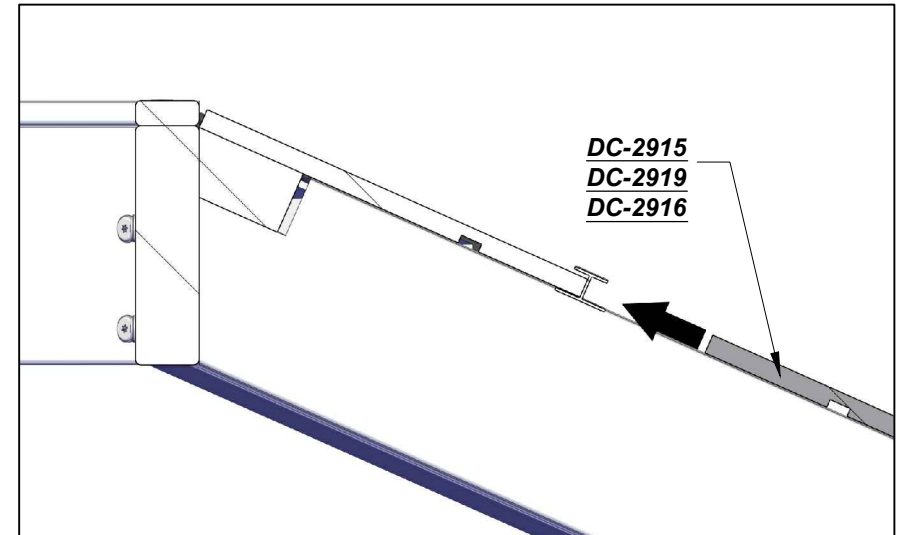
1 1/2" #8 FLAT HEAD (#2 ROBERTSON)



# STEP 7

# 11X14 SL CEILING KIT

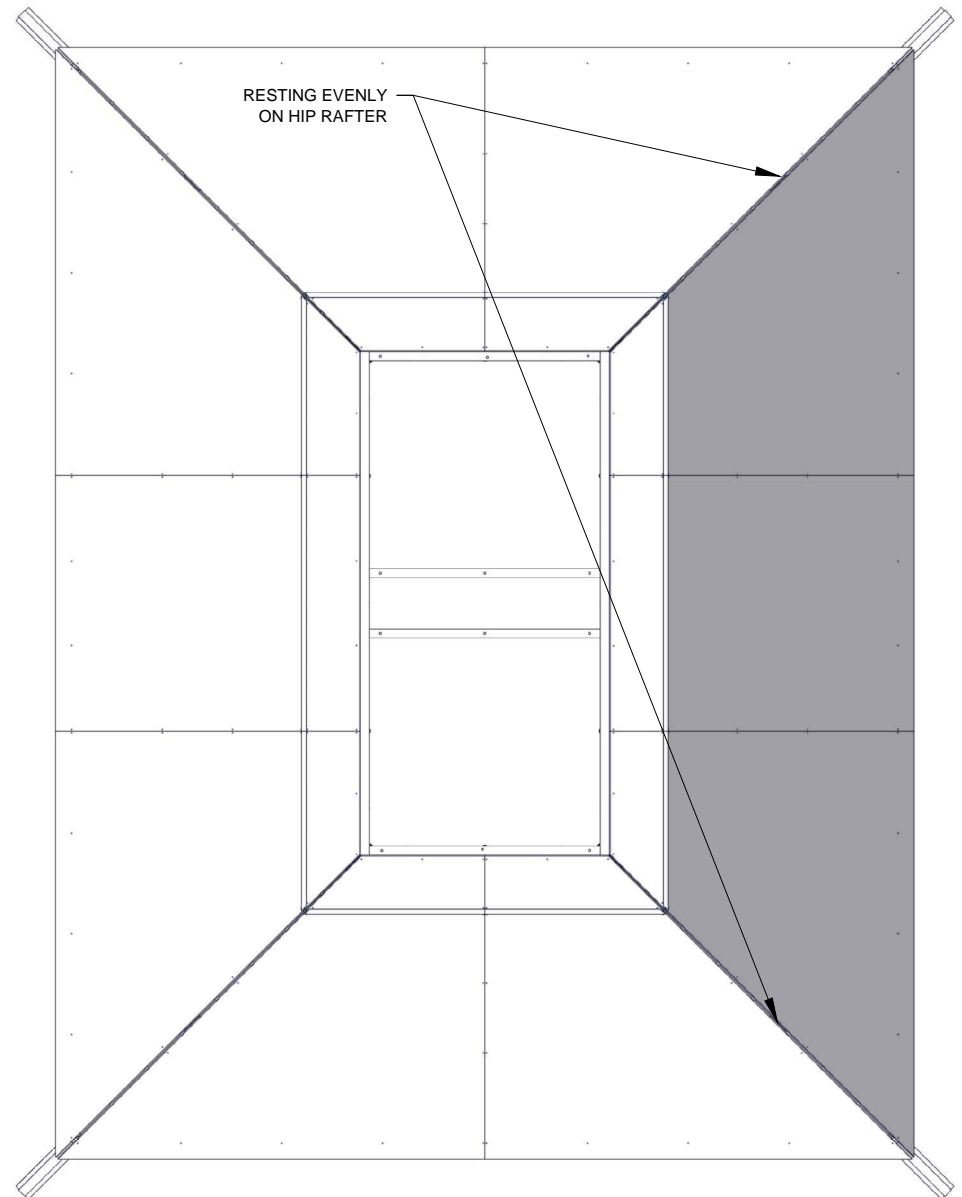
ONLY FASTEN THROUGH PRE-PUNCHED HOLE LOCATIONS.



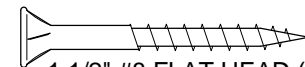
(A) 32X



REPEAT STEP 7 FOR THE OPPOSITE SECTION OF ROOF.



(A) 32X



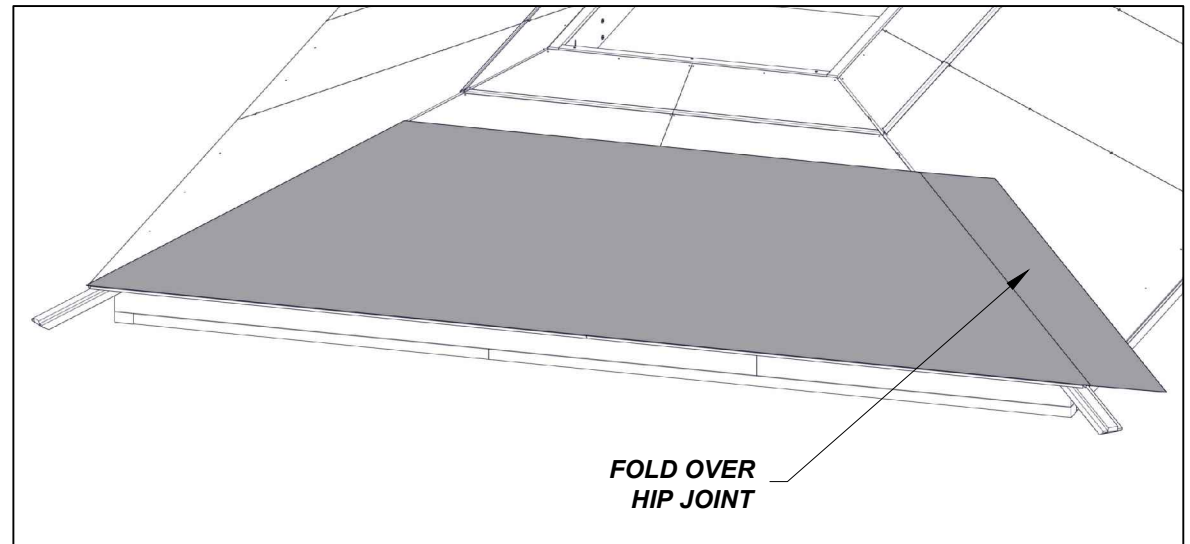
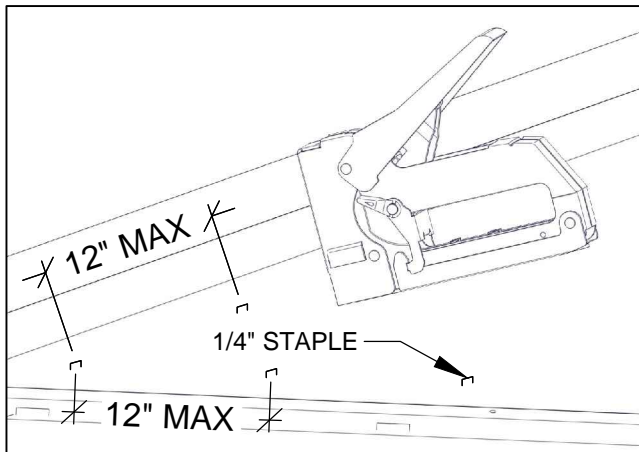
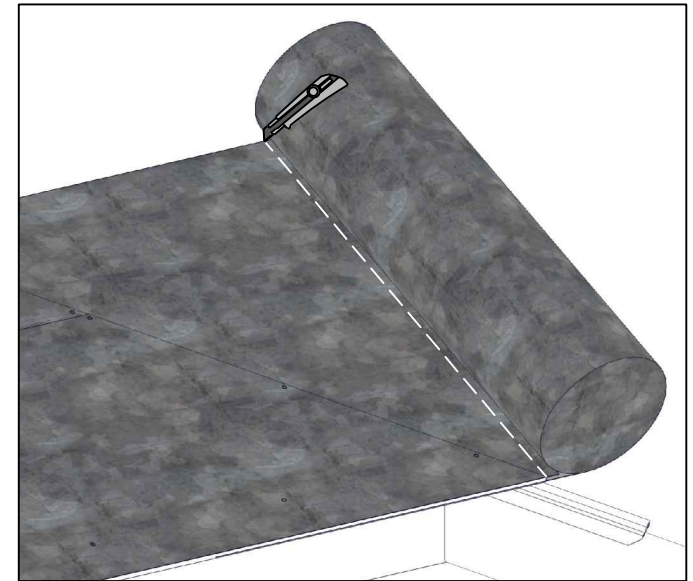
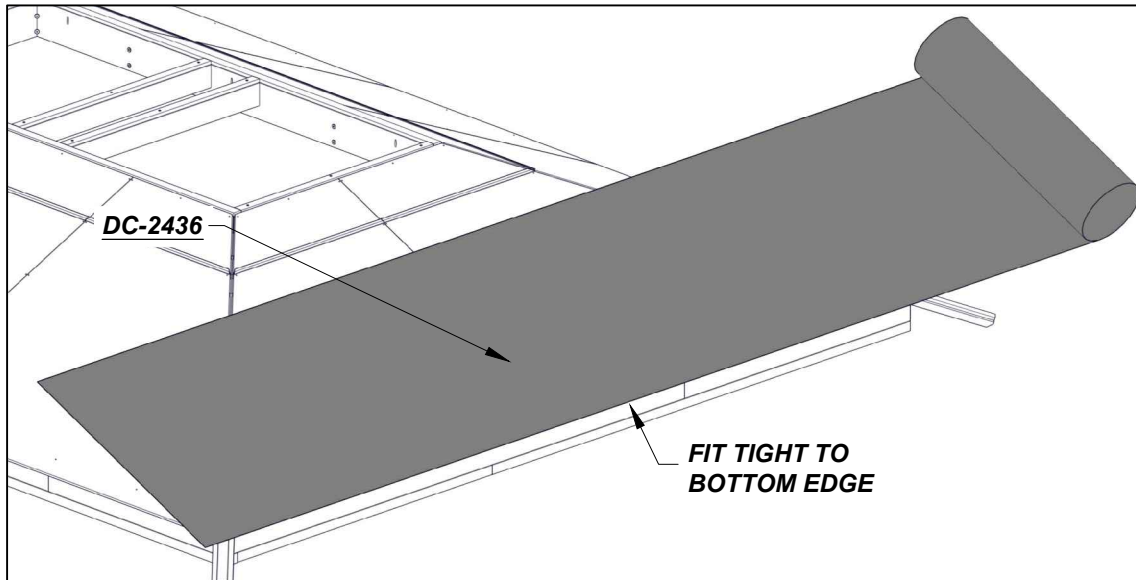
1 1/2" #8 FLAT HEAD (#2 ROBERTSON)

ROLL TAR PAPER (DC 2436) FLAT ACROSS CEILING BOARDS, TIGHT TO THE BOTTOM MOST EDGE OF THE CEILING PANEL.

FOLD TAR PAPER OVER HIP JOINTS.

STAPLE THE FIRST ROW OF TAR PAPER TO THE CEILING BOARDS USING 1/4" STAPLES, SPACED A MAXIMUM OF 12" APART FROM EACH OTHER.

FASTEN EACH ROW OF TAR PAPER BEFORE MOVING ON TO NEXT ROW.





# STEP 10

# 11X14 SL CEILING KIT

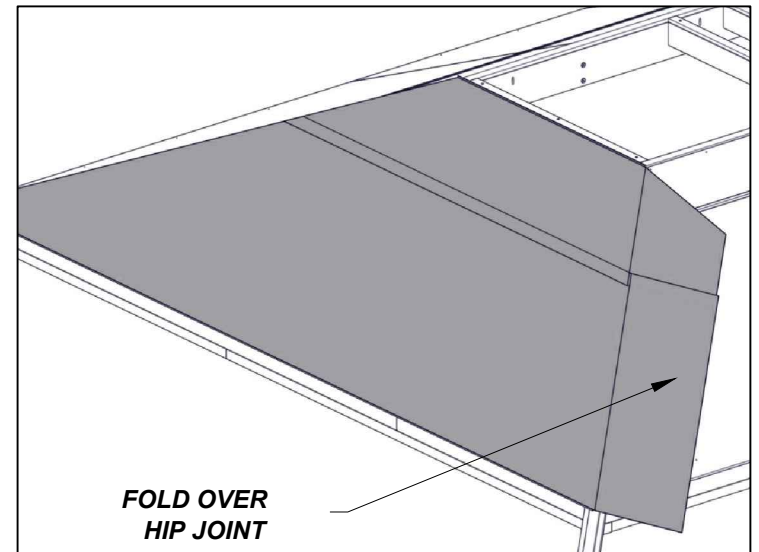
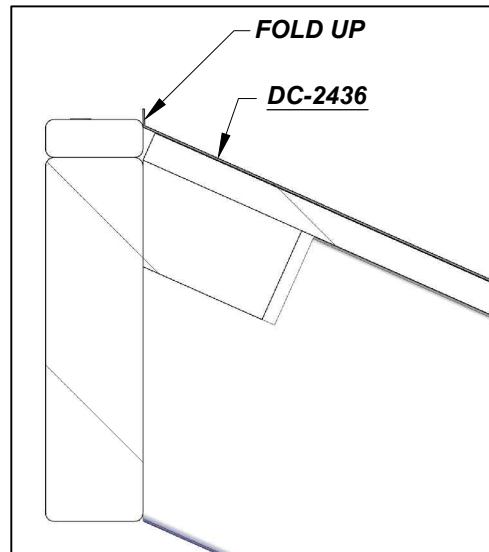
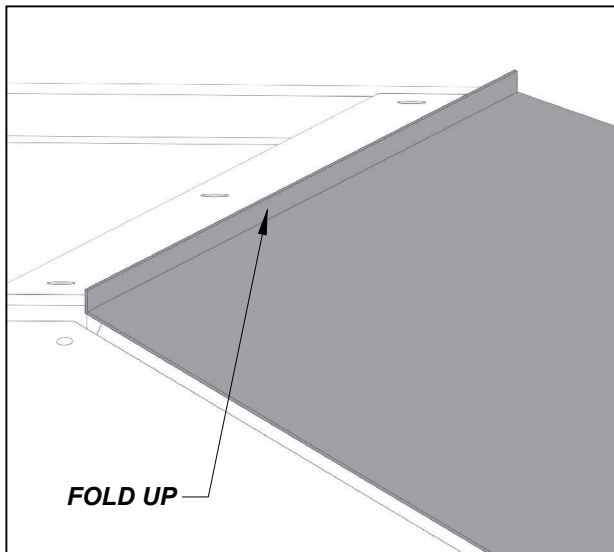
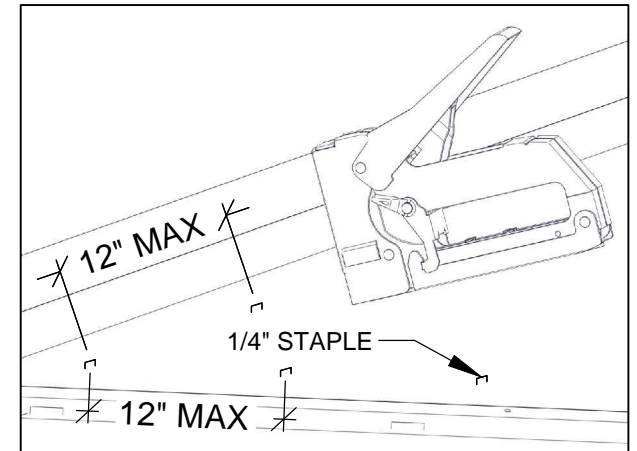
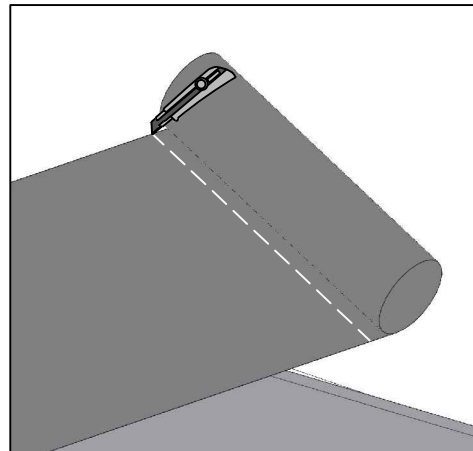
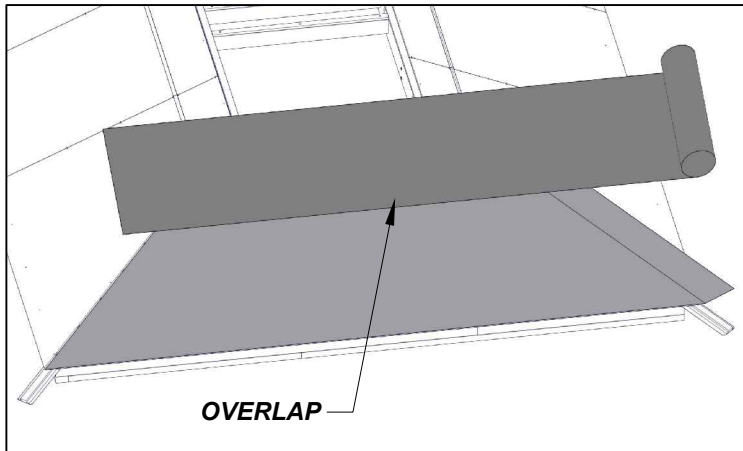
ROLL TAR PAPER (DC 2436) FLAT ACROSS CEILING BOARDS.

FOLD TAR PAPER UP ON TO SKYLIGHT BOX.

FOLD TAR PAPER OVER HIP JOINTS.

STAPLE THE TAR PAPER TO THE CEILING BOARDS USING 1/4" STAPLES, SPACED A MAXIMUM OF 12" APART FROM EACH OTHER.

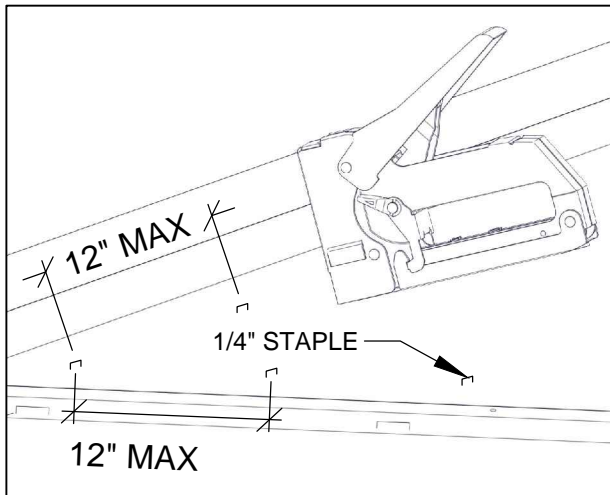
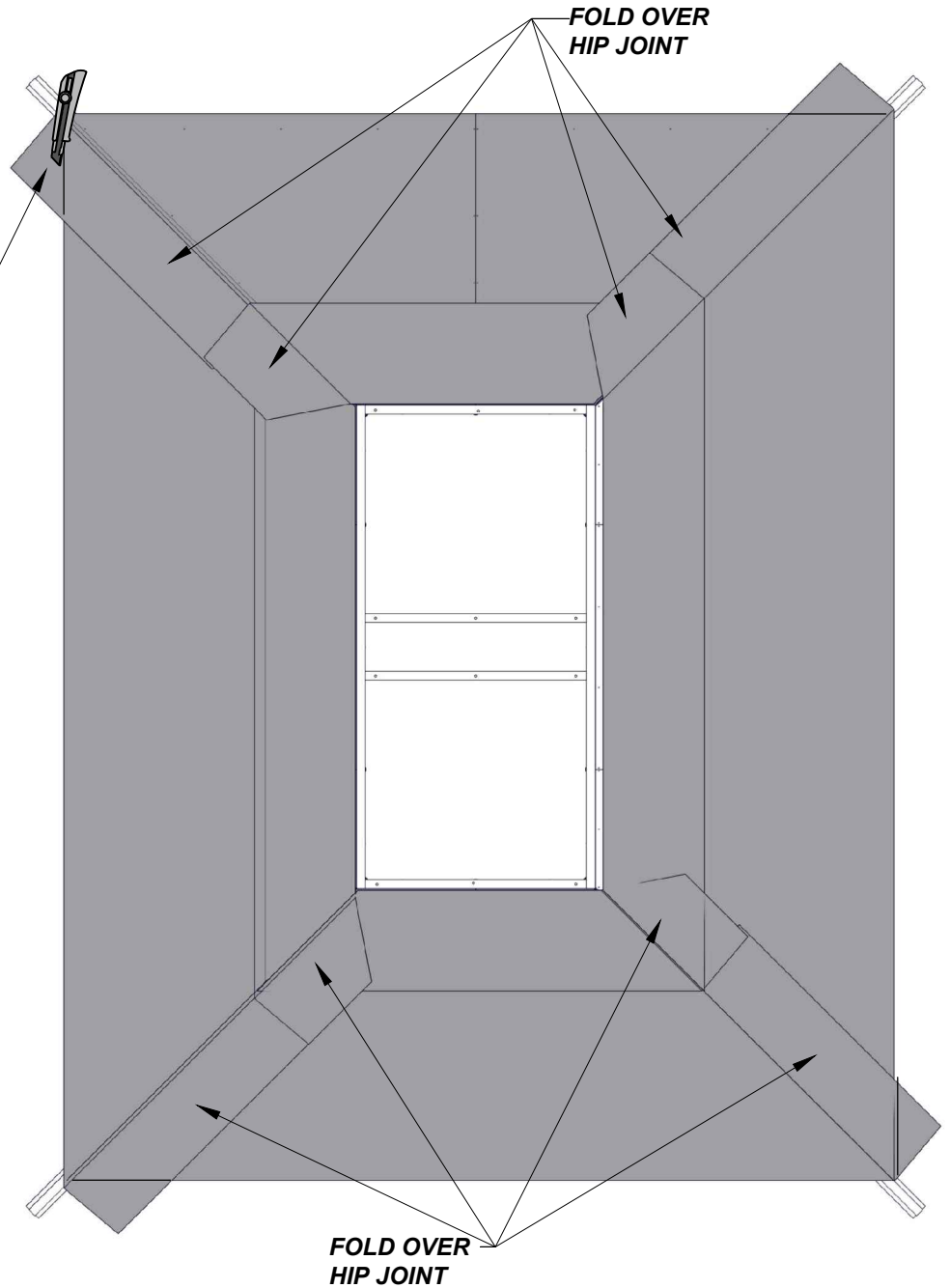
FASTEN EACH ROW OF TAR PAPER BEFORE MOVING ON TO NEXT ROW.



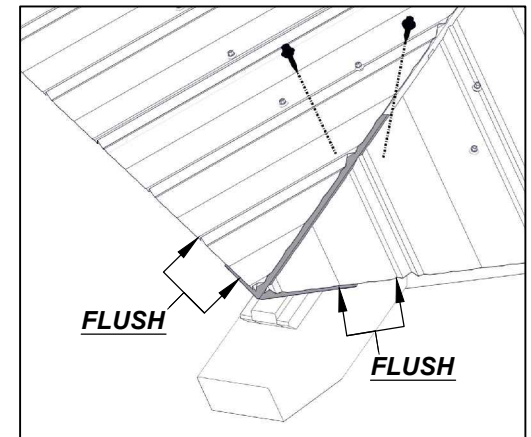
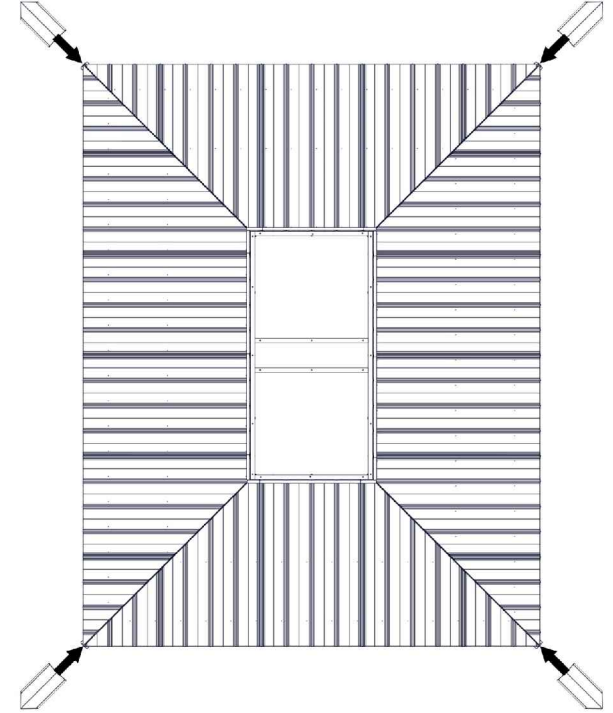
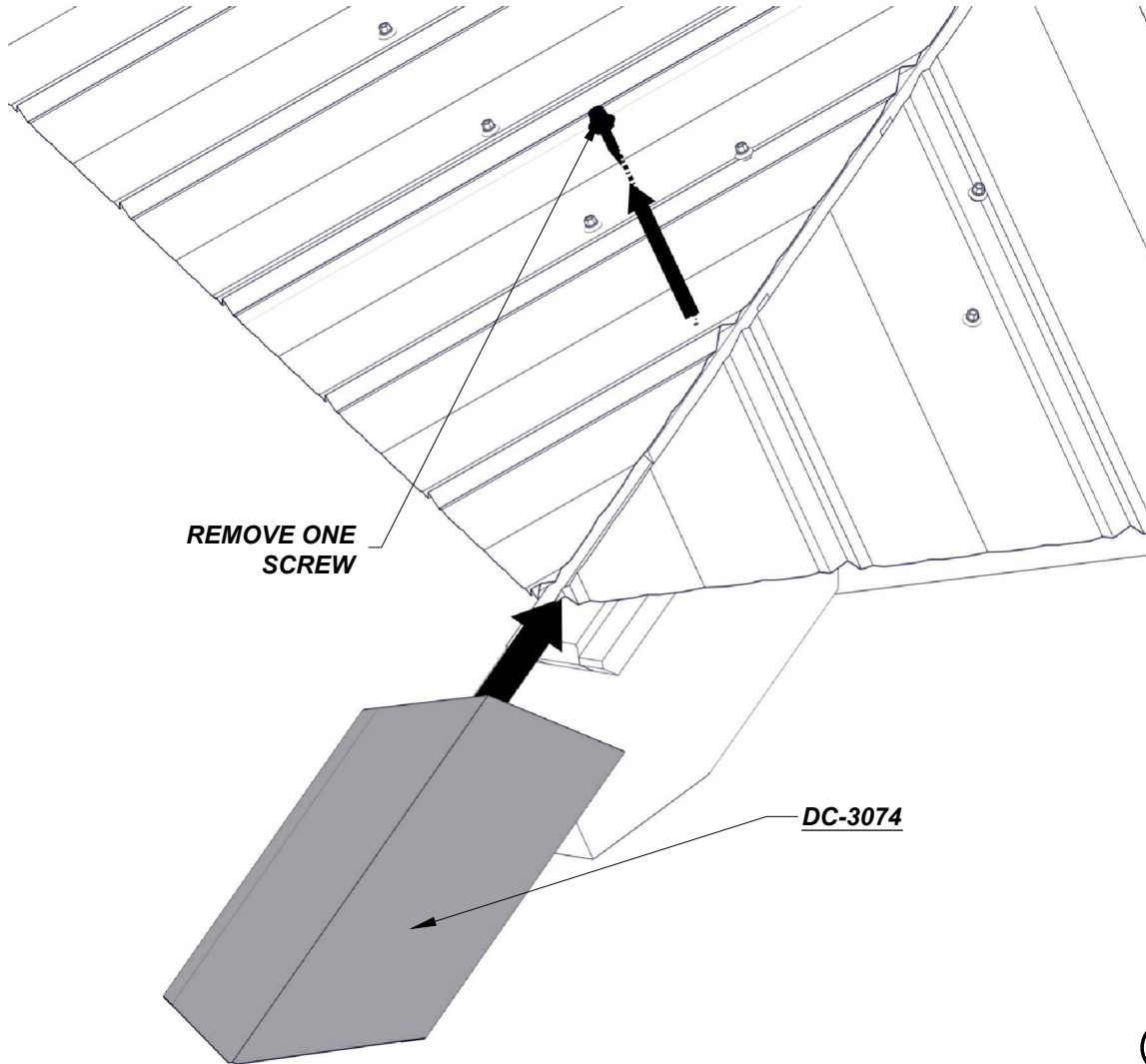


REPEAT STEP 9-10 FOR THE REMAINING SECTIONS OF ROOF.

TRIM EXCESS ON ALL 4 SIDES



ROOF SHEET SUPPORT (DC 3074) IS TO BE LOCATED **OVER** TAR PAPER, AND **UNDER** ROOF SHEET.  
REPEAT THIS STEP FOR ALL FOUR ROOF SHEET SUPPORTS.



- ① 4X  1" #10 METAL ROOF SCREW (1/4" HEAD)

ATTACH OUTER CLOSURE TABS (DC 2822) TO THE TOP EDGE OF THE ROOFING SHEETS.

TRIM CLOSURE TABS TO SUIT.

RETURN TO MAIN STRUCTURE INSTRUCTIONS.

